



**Roots**

## 817 RCS

Part Number – 66747110



- Heavy-duty unit with integral-shaft ductile iron impellers with an involute profile
- Rigid one-piece casing, drive end cover, end cover, and headplates are grey iron
- Carburized and ground alloy steel spur timing gears
- Cylindrical roller bearings on drive end
- Ball bearings on gear end
- Piston rings reduce air leakage
- Lip type oil seals prevent lubrication from entering the air chamber.
- Splash oil lubricated gears on drive and gear ends
- Detachable steel mounting feet
- Horizontal and vertical configurations available
- Center time for rotation in either direction.

### Also Available in:

- RCS-J (Whispair)
- RCS with Std Copper Tube Oil Cooler
- RCS-J with Std Aluminum Tube Oil Cooler
- Plugged Impeller Option
- VJ (Water Sealed Exhauster Whispair)



816-741-0282



### Quick Specs

Flow Range	to 4050 CFM
Max ΔPressure	18 PSI
Max ΔVacuum	16" Hg
Maximum RPM	2250
Minimum RPM	880
Max ΔT	230°F
Max ΔT with Oil Cooler	260°F
Connection Size	10" Flange
Shaft Dia.	2.75"
Min Sheave Dia.	13.25"
Drive End Lubrication	Oil
Gear End Lubrication	Oil
Oil Sump Horiz Config	~85 oz
Oil Sump Vert Config	~41 oz
Bare Unit Weight	1200 lbs
Container	Wood Skid
Skid Size (L x W x H)	54" x 32" x 36"
Shipping Weight on Skid	~1250 lbs
Recommended to Ship Via	Truck

Table 5 - Parts Identification List for Figure 5

Item Number	Identification	Quantity Used
1	Drive End Headplate	1
2	Gear End Headplate	1
3	Gearbox	1
4	Gears	2
5	Drive End, Drive Cover	1
5a	Drive End, Driven Cover	1
7	Gearbox Gasket	1
8	Name Plate	1
10	Gasket, Drive End Covers	2
11	Cylinder	1
12	Driven Impeller	1
13	Drive Impeller	1
14	Drive End Bearings	2
15	Gear End Bearings	2
16	Dowel Pins	4
17	Spring Pins	2
19	Key	1
21	Gear End Vent Plug	1
22	Pipe Plugs	3
23	Capscrew	40
26	Capscrew Seals	
27	Seals	4
28	Piston Ring Seals	4
29	Wavy Spring Washers	4
30	Gear Mounting Washer	2
31	Capscrew	2
32	Capscrew	6
33	Drive Seal	1

Item Number	Identification	Quantity Used
34	Bearing Clamp Plate	2
35	Foot, R.H.	2
36	Foot, L. H.	2
37	Sightplug-oil Level	2
38	Sleeve	4
40	Sight Plug	1
44	Capscrew	18
45	Pipe Plug	2
46	Slinger	1
54	Screw	1
58	Screw	2
59	Washer	2
62	Capscrew	8
63	Lifting Brackets	2
64	Pipe	2
65	Pipe Nipple	1
69	Washers, hardened	2
70	Oilers	2
71	Street Elbow	2
72	Pipe Plug	1
73	Vent, Plug, D.E.	2
74	Shim	Varies
77	Pipe Tee	2
78	Pipe Nipple	2
80	Street Elbow	2
81	Pipe Plug	3
84	Lockwasher	8
85	Pipe Plug	4



816-741-0282



### Repair Kits

Repair kits are bundled with the parts you need to complete a standard repair. It is more cost effective to buy a repair kit than to purchase individual parts. However, if you need parts not listed in the kit, it is recommended that you call Pathfinder Systems for parts pricing.

#### P/N 667461RK Kit for 800 RCS w/out Cooler & Standard Seals

Item	Qty	Kit Description	P/N
7	1	Gasket Gearbox/Cover	67610012
10	2	Gasket, Drive End Cover	66863011
14	2	Bearing, Roller	10222041
15	2	Bearing, Ball	10987045
27	4	Seal, Lip (Viton)	10460035
28	4	Piston, Ring Seal	12283005
29	4	Washer, Spring, Wavy	10135024
31	2	Hex Cap Screw 7/8	12467017
32	6	Hex Cap Screw, 3/8	10677011
33	1	Seal, Lip	10460036
37	2	Sight, Plug Oil Level, 1/2" NPT	12066003
38	4	Sleeve, GE & OGE 800 RCS-J	57161020
40	1	Sight Plug Oil Level 3/4" NPT	12066001
46	1	Slinger GE	66996012
48	2	Washer Plain	10181013
49	2	Screw Cap 3/8-16	10219003
69	2	Washer, HDN	12750003
74	1	Shim Set	70311020

#### P/N 667462RK Kit for 800 RCS w/Hydrodynamic Seals

Item	Qty	Kit Description	P/N
7	1	Gasket Gearbox/Cover	67610012
10	2	Gasket, Drive End Cover	66863011
14	2	Bearing, Roller	10222041
15	2	Bearing, Ball	10987045
21	1	Mini-Breather 1/2	T20013004
27	2	Hydrodynamic Seal, (PTFE) CW	13309023
27.1	2	Hydrodynamic Seal, (PTFE) CCW	13309024
28	4	Piston, Ring Seal	12283005
29	4	Washer, Spring, Wavy	10135024
31	2	Hex Cap Screw 7/8	12467017
32	6	Hex Cap Screw, 3/8	10677011
33	1	Hydrodynamic Seal, (PTFE)	13440004
37	2	Sight, Plug Oil Level, 1/2"	12066003
38	4	Sleeve, GE & OGE 800 RCS-J	57161020
40	1	Sight Plug Oil Level 3/4" NPT	12066001
46	1	Slinger GE	66996012
48	2	Washer Plain	10181013
49	2	Screw Cap 3/8-16	10219003
69	2	Washer, HDN	12750003
73	2	Vent Plug 1/4"	13005001
74	1	Shim Set	70311020
81.1	2	Vent Breather 3/8	T20088001
83	2	Sleeve Seal Install 8" Inboard	13365023



816-741-0282

**Table 2 - Recommended Oil Grades**

Ambient* Temperature °F (°C)	ISO Viscosity No.
Above 90° (32°)	320
32° to 90° (0° to 32°)	220
0° to 32° (-18° to 0°)	150
Below 0° (-18°)	100

\*Ambient temperature is defined as the temperature of the space in which the blower and drive are located.

Use a good grade of **industrial type** non-detergent, rust inhibiting, anti-foaming oil and of correct viscosity per Table 2. Roots synthetic oil (Roots P/N 813-106-) is **specified and recommended**. Roots does not recommend automotive type lubricants, as they are not formulated with the properties mentioned above.

**Due to sludge build-up and seal leakage problems, Roots recommendation is DO NOT USE Mobil SHC synthetic oils in ROOTS blowers.**

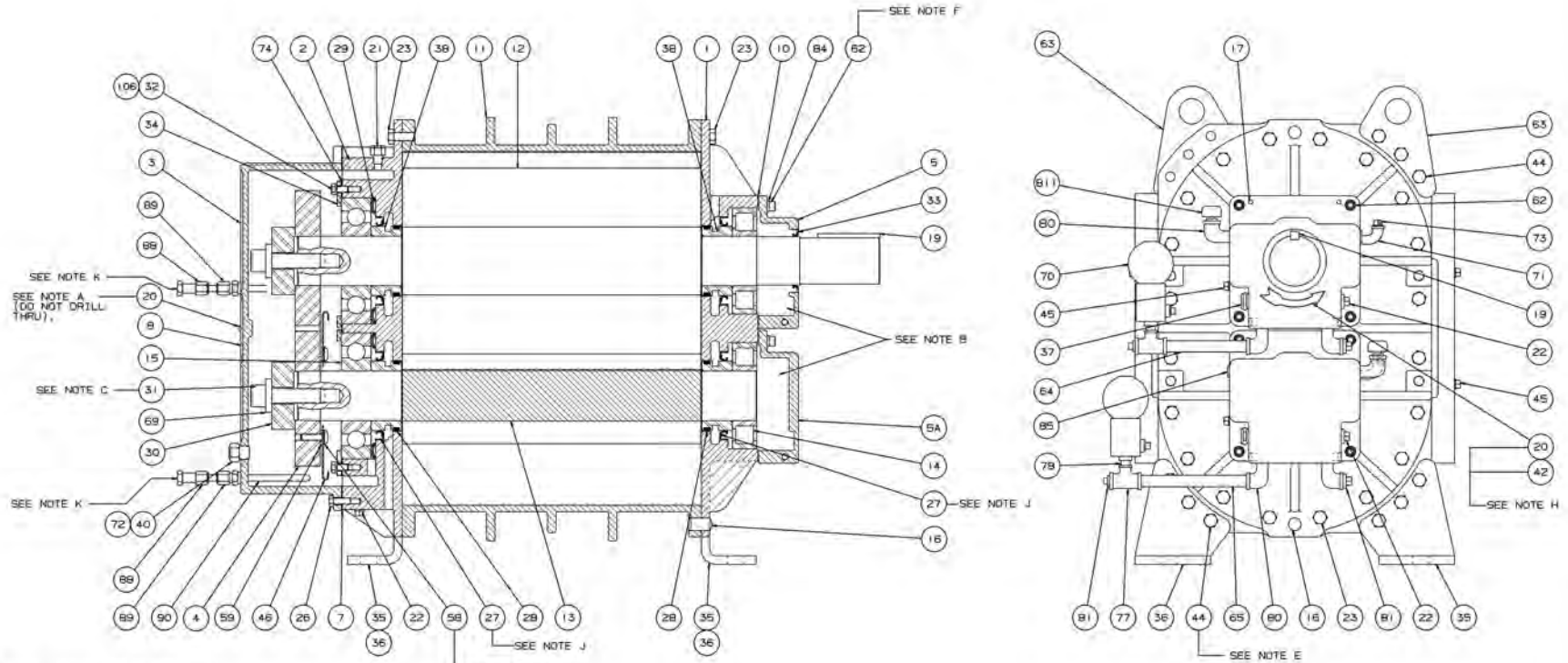
**Table 4 - Approximate Oil Fill Amounts**

Model No./ Drive Shaft location	Gear Box		Drive End	
	Pints	Liters	Ounces	Liters
800-H (left or right)	4.8	2.3	8	.24
800-H (top or bottom)	2.06	0.98	8	.24

These capacities are provided to assist stocking the correct amount of oil. Exact sump capacity may differ slightly. See "Lubrication" section for proper filling instructions.

ROOTS® Synthetic Oil: ISO-VG-320 Grade	
	Part Number
Quart	13106004
Gallon	13106005
Case (12 qts)	13106007
ROOTS® Synthetic Oil: ISO-VG-220 Grade	
	Part Number
Quart	13106001
Gallon	13106002
Case (12 qts)	13106008
ROOTS® Synthetic Oil: ISO-VG-150 Grade	
	Part Number
Quart	13106020
Gallon	13106021
Case (12 qts)	13106023
5 Gallon Pail	13106022
55 Gallon Drum	13106025
ROOTS® Synthetic Oil: ISO-VG-100 Grade	
	Part Number
Quart	13106011
Gallon	13106012
Case (12 qts)	13106014
5 Gallon Pail	13106013
55 Gallon Drum	13106016

REV	PART NAME	REV	DATE



- NOTES:
- A - #25(.150) DRILL 1/4 DP. & INSTALL ITEM 20 (SCREW) IN ASSEMBLY.
  - B - SEE OPERATING MANUAL IRB-116 FOR LUBRICATION INSTRUCTION.
  - C - APPLY OIL TO BOLT THREADS & UNDER BOLT HEAD, & TORQUE TO 850 FT. LBS. (IF MOLYNOTE OR PASTE IS USED IN PLACE OF OIL ON THREADS, TORQUE TO 500 FT. LBS.)
  - D - THREADS TO BE OIL FREE, CLEAN, APPLY LOCTITE AND TORQUE TO 25 FT. LBS.
  - E - SCREW THREADS TO BE OILED & TORQUED TO 85 FT. LBS.
  - F - SCREW THREADS TO BE OILED & TORQUED TO 35 FT. LBS.
  - H - REQUIRED WITH HYDRODYNAMIC SEALS ONLY.
  - J - NOTE UNIT ROTATION WITH PLACEMENT OF HYDRODYNAMIC SEALS.
  - K - OIL COOLING WATER INLET OR OUTLET.

REV	DESCRIPTION	BY	DATE	CHKD	DATE
1	ADDED DIMENSIONS	HEH	5/20/80	BJ	10/18/80
2	NOTE "D" REVISED	ESJ	4-8-80	8072V	AGP
3	REV DIMS FROM 1/4" TO 5/8"	AKP	6-15-80	7436V	12CA
4	ADDED #45 IN FACE OF CYLINDER	AKP	7-7-80	7534V	AGP
5	ITEM #20 MVS #54	AKP	11-8-80	7614V	PCA
6	MOVED OUTLETS TO BOTTOM	SAF	5-25-80	7410V	PCA
7	ADDED ITEMS 30 & 42	FOR	8-20-80	7534V	PCA
8	REVISED	BY	DATE	CHKD	DATE
9	REVISED	BY	DATE	CHKD	DATE

THIS DOCUMENT CONTAINS CONFIDENTIAL INFORMATION OF DRESSER INDUSTRIES, INC. IT SHALL BE HELD IN STRICTEST CONFIDENCE, AND BE USED ONLY IN CONNECTION WITH DRESSER DIVISION BUSINESS.

REF: 6774013  
 1. DIMENSIONS  
 2. MATERIALS  
 3. FINISHES  
 4. TOLERANCES  
 5. SURFACE FINISHES  
 6. WEIGHTS  
 7. FINISH OF BORE HOLES

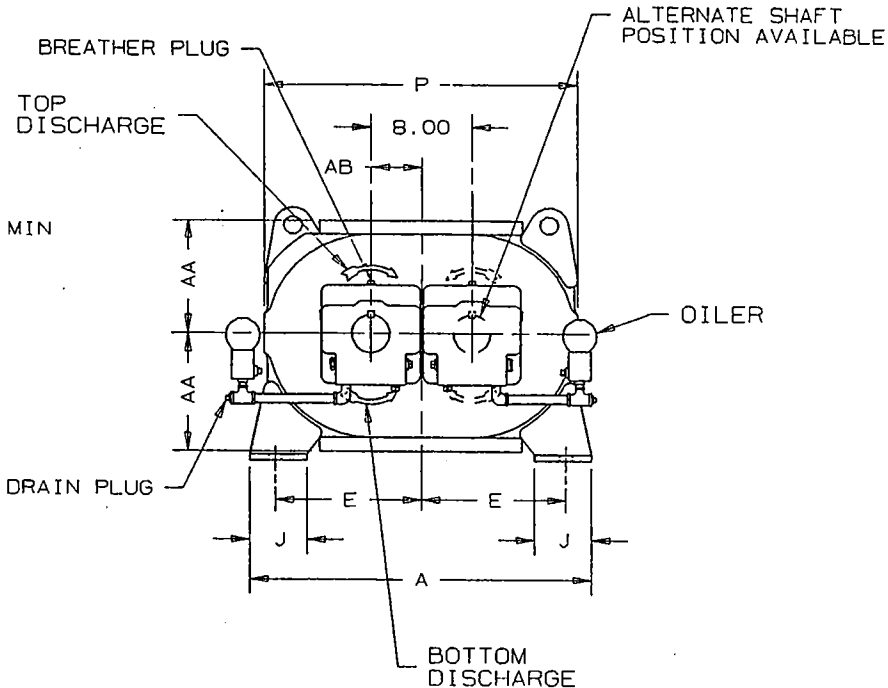
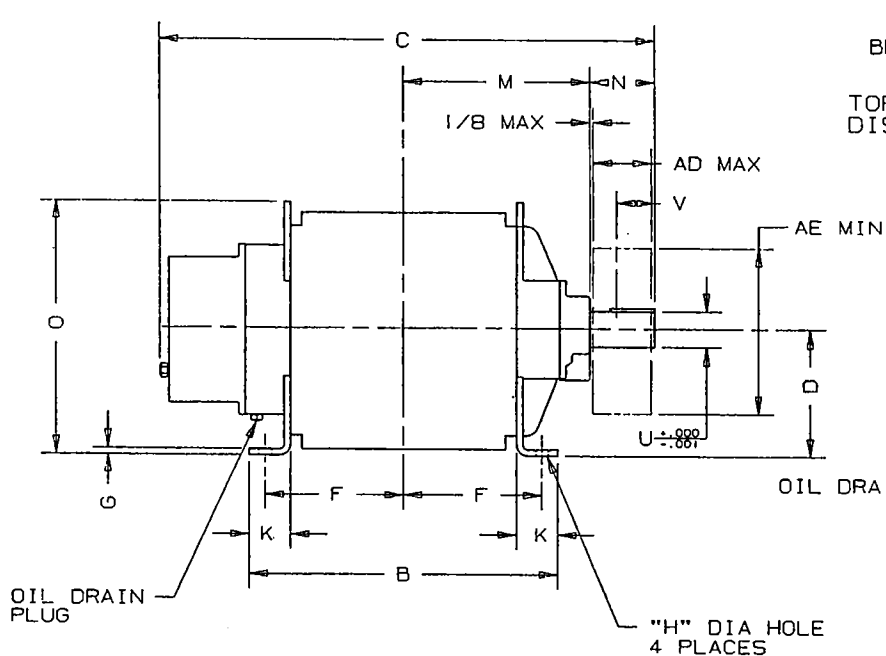
CONFIDENTIAL

SECTIONAL ASSEMBLY  
 8" RCS-W (W/OIL COOLER)

DRESSER INDUSTRIES, INC.  
 Dresser, Dresser, Dresser, Inc.  
 Danversville, IN USA

69763013 REV L

Figure 5 - 8" RCS Blower Sectional



INLET AND DISCHARGE FLANGES TO MATE FLUSH AND SQUARE WITH FLAT FACE FLANGES ONLY. USE FULL FACE GASKETS

FOR V-BELT DRIVEN UNITS MOTOR TO BE LOCATED ON THE SHAFT SIDE OF BLOWER WHEN FACING BLOWER SHAFT.

	10"FLG	12"FLG	14"FLG
OPENING	10.00	12.00	14.00
BOLT CIRCLE	14.25	17.00	18.75
FLANGE O.D.	16.00	19.00	21.00
No TAPPED HOLES	12	12	12
SIZE HOLES	7/8 - 9	7/8 - 9	1 - 8
TAP DEPTH	1.31	1.31	1.50

W - INLET  
 W' - DISCHARGE  
 AD - SHEAVE WIDTH  
 AE - SHEAVE DIAMETER  
 ALL DIMENSIONS IN INCHES

## 8" RCS-H BLOWER

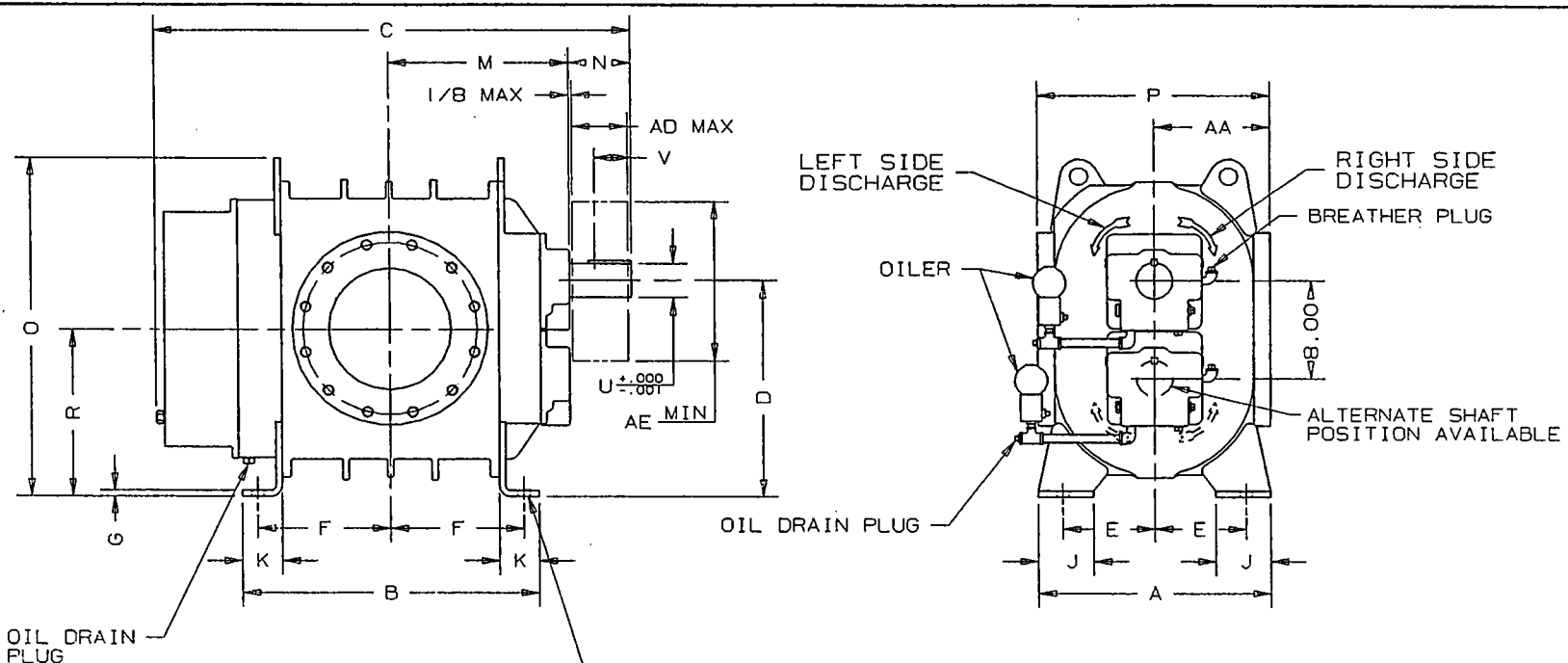
FRAME SIZE	A	B	C	D	E	F	G	H	J	K	M	N	O	P	U	V	KEYWAY	W	W'	AA	AB	AD	AE	APPROX WEIGHT
817	27.00	24.25	38.44	10.00	11.50	10.88	.50	1.00	4.50	3.25	14.63	4.88	20.38	25.25	2.75	4.00	.625x.313	10"FLG	10"FLG	9.50	4.00	7.19	13.25	1200 LB.
824	"	30.50	44.69	"	"	14.00	"	"	"	"	17.75	"	"	"	"	"	"	12"FLG	12"FLG	"	"	"	"	1330 LB.
827	"	34.00	48.19	"	"	15.75	"	"	"	"	19.50	"	"	"	"	"	"	14"FLG	14"FLG	"	"	"	"	1600 LB.

CERTIFIED CORRECT FOR  
 CUSTOMER ORDER No. \_\_\_\_\_  
 ROOTS ORDER No. \_\_\_\_\_  
 DATE \_\_\_\_\_

### V-BELT DRIVE DATA

BELTS	_____
DRIVE SHEAVE	_____
DRIVEN SHEAVE	_____
CENTER DISTANCE	_____

		DRESSER INDUSTRIES, INC
		ROOTS DIVISION 900 WEST MOUNT STREET CONNERSVILLE, INDIANA 47331
REM 3/23/88 RDA	866-873-0111	



INLET AND DISCHARGE FLANGES TO MATE FLUSH AND SQUARE WITH FLAT FACE FLANGES ONLY. USE FULL FACE GASKETS

FOR V-BELT DRIVEN UNITS MOTOR TO BE LOCATED ON INLET SIDE OF BLOWER

# 8" RCS-V BLOWER

	10"FLG	12"FLG	14"FLG
OPENING	10.00	12.00	14.00
BOLT CIRCLE	14.25	17.00	18.75
FLANGE O.D.	16.00	19.00	21.00
No TAPPED HOLES	12	12	12
SIZE HOLES	7/8 - 9	7/8 - 9	1 - 8
TAP DEPTH	1.31	1.31	1.50

W - INLET  
W' - DISCHARGE  
AD - SHEAVE WIDTH  
AE - SHEAVE DIAMETER  
ALL DIMENSIONS IN INCHES

FRAME SIZE	A	B	C	D	E	F	G	H	J	K	M	N	O	P	R	U	V	KEYWAY	W	W'	AA	AD	AE	APPROX WEIGHT
B17	19.00	24.25	38.44	18.00	7.50	10.88	.50	1.00	4.50	3.25	14.63	4.88	28.38	19.00	14.00	2.75	4.00	.625x.313	10"FLG	10"FLG	9.50	7.19	13.25	1200 LB.
B24	"	30.50	44.69	"	"	14.00	"	"	"	"	17.75	"	"	"	"	"	"	"	12"FLG	12"FLG	"	"	"	1330 LB.
B27	"	34.00	48.19	"	"	15.75	"	"	"	"	19.50	"	"	"	"	"	"	"	14"FLG	14"FLG	"	"	"	1600 LB.

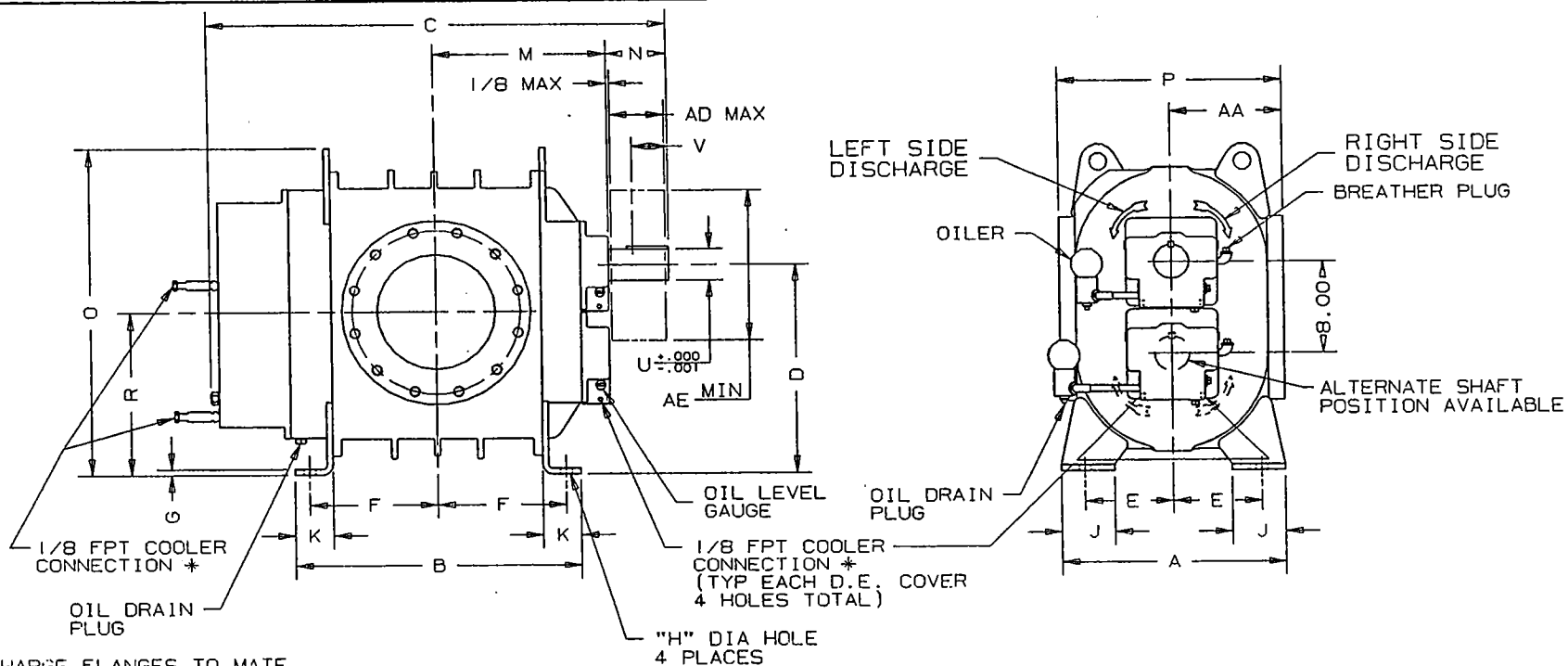
CERTIFIED CORRECT FOR  
CUSTOMER ORDER No. \_\_\_\_\_  
ROOTS ORDER No. \_\_\_\_\_  
DATE \_\_\_\_\_

V-BELT DRIVE DATA	
BELTS	_____
DRIVE SHEAVE	_____
DRIVEN SHEAVE	_____
CENTER DISTANCE	_____

**ROOTS**

DRESSER INDUSTRIES, INC  
ROOTS DIVISION  
900 WEST MOUNT STREET  
CONNERSVILLE, INDIANA 47331

REM 3/21/88 RDA
866-872-011



INLET AND DISCHARGE FLANGES TO MATE FLUSH AND SQUARE WITH FLAT FACE FLANGES ONLY. USE FULL FACE GASKETS

FOR V-BELT DRIVEN UNITS MOTOR TO BE LOCATED ON INLET SIDE OF BLOWER

\* ONE GPM PER END AT MAX. 85°F REQUIRED

### 8" RCS-V BLOWER w/COOLER

	10"FLG	12"FLG	14"FLG
OPENING	10.00	12.00	14.00
BOLT CIRCLE	14.25	17.00	18.75
FLANGE O.D.	16.00	19.00	21.00
No TAPPED HOLES	12	12	12
SIZE HOLES	7/8 - 9	7/8 - 9	1 - 8
TAP DEPTH	1.31	1.31	1.50

W - INLET  
 W' - DISCHARGE  
 AD - SHEAVE WIDTH  
 AE - SHEAVE DIAMETER  
 ALL DIMENSIONS IN INCHES

FRAME SIZE	A	B	C	D	E	F	G	H	J	K	M	N	O	P	R	U	V	KEYWAY	W	W'	AA	AD	AE	APPROX WEIGHT
817	19.00	24.25	38.44	18.00	7.50	10.88	.50	1.00	4.50	3.25	14.63	4.88	28.38	19.00	14.00	2.75	4.00	.625x.313	10"FLG	10"FLG	9.50	7.19	13.25	1200 LB.
824	"	30.50	44.69	"	"	14.00	"	"	"	"	17.75	"	"	"	"	"	"	"	12"FLG	12"FLG	"	"	"	1330 LB.
827	"	34.00	48.19	"	"	15.75	"	"	"	"	19.50	"	"	"	"	"	"	"	14"FLG	14"FLG	"	"	"	1600 LB.

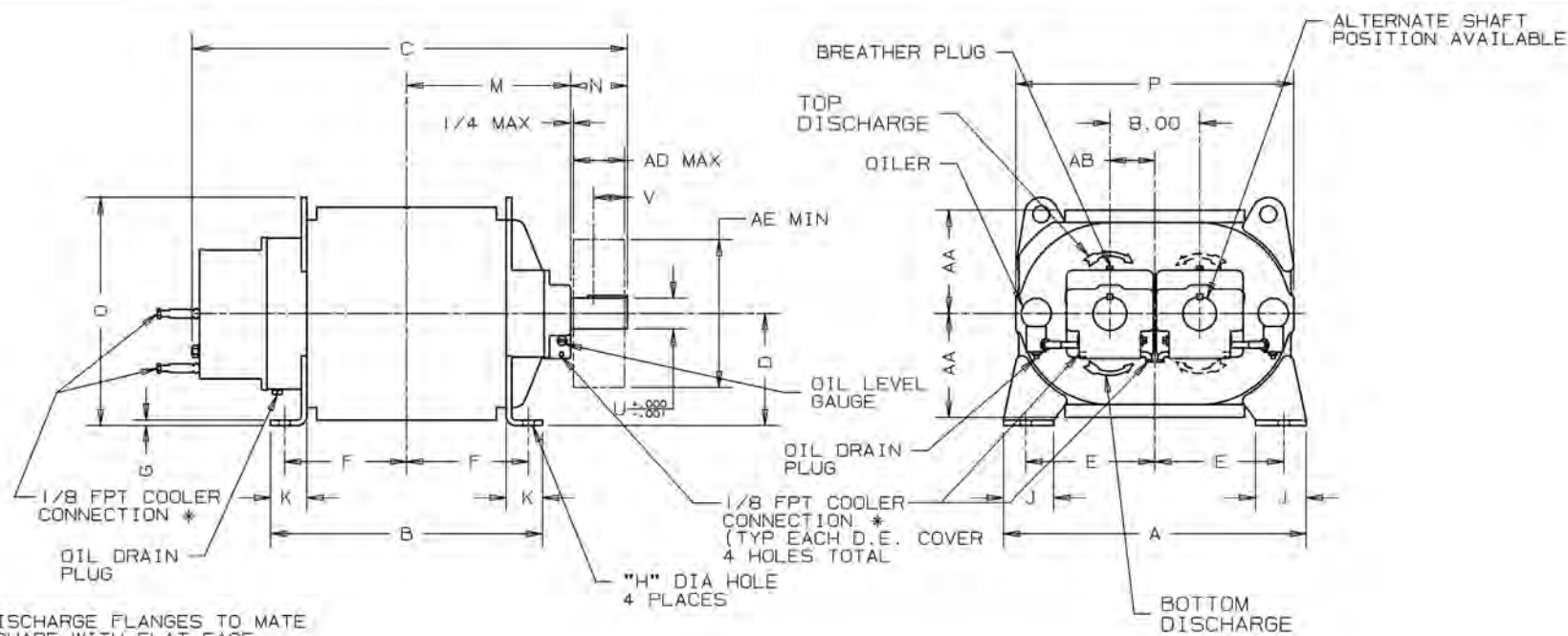
CERTIFIED CORRECT FOR  
 CUSTOMER ORDER No. \_\_\_\_\_  
 ROOTS ORDER No. \_\_\_\_\_  
 DATE \_\_\_\_\_

V-BELT DRIVE DATA			
BELTS	_____		
DRIVE SHEAVE	_____		
DRIVEN SHEAVE	_____		
CENTER DISTANCE	_____		

**ROOTS**  DRESSER INDUSTRIES, INC  
 ROOTS DIVISION  
 900 WEST MOUNT STREET  
 CONNERSVILLE, INDIANA 47331

JHB 6-9-92 RDA REM 873-919-011





INLET AND DISCHARGE FLANGES TO MATE FLUSH AND SQUARE WITH FLAT FACE FLANGES ONLY. USE FULL FACE GASKETS

FOR V-BELT DRIVEN UNITS MOTOR TO BE LOCATED ON THE SHAFT SIDE OF BLOWER WHEN FACING BLOWER SHAFT.

\* ONE GPM PER END AT MAX. 85°F REQUIRED

\* 45 PSI MAX WATER PRESSURE

	10"FLG	12"FLG	14"FLG
OPENING	10.00	12.00	14.00
BOLT CIRCLE	14.25	17.00	18.75
FLANGE O.D.	16.00	19.00	21.00
No TAPPED HOLES	12	12	12
SIZE HOLES	7/8 - 9	7/8 - 9	1 - 8
TAP DEPTH	1.31	1.31	1.50

W - INLET

W' - DISCHARGE

AD - SHEAVE WIDTH MAX

AE - SHEAVE DIAMETER MIN

ALL DIMENSIONS IN INCHES

## 8" RCS-H BLOWER w/COOLER

FRAME SIZE	A	B	C	D	E	F	G	H	J	K	M	N	O	P	U	V	KEYWAY	W	W'	AA	AB	AD	AE	APPROX WEIGHT
B17	27.00	24.25	38.44	10.00	11.50	10.88	.50	1.00	4.50	3.25	14.63	4.88	20.38	25.25	2.75	4.00	.625x.313	10"FLG	10"FLG	9.50	4.00	7.19	13.25	1200 LB.
B24	"	30.50	44.69	"	"	14.00	"	"	"	"	17.75	"	"	"	"	"	"	12"FLG	12"FLG	"	"	"	"	1330 LB.
B27	"	34.00	48.19	"	"	15.75	"	"	"	"	19.50	"	"	"	"	"	"	14"FLG	14"FLG	"	"	"	"	1600 LB.

CERTIFIED CORRECT FOR CUSTOMER ORDER No. \_\_\_\_\_  
 ROOTS ORDER No. \_\_\_\_\_  
 DATE \_\_\_\_\_

A	ADDED NOTES	BRK	7760V
REVISIONS	BY	DATE	CHKD.

## 8" RCS-H BLOWER w/COOLER



Dresser ROOTS, Dresser, Inc.  
 Connersville, IN USA

JHB			73920011	REV. A
DR	CHKD	APP		

## ROOTS™ RCS Rotary Positive Blowers

Frames 817 thru 827

### BASIC BLOWER DESCRIPTION

RCS rotary blowers are heavy-duty units designed with integral-shaft ductile iron impellers having an involute profile. The headplates, gear cover, end cover and rigid, one-piece casing are grey iron. Carburized and ground alloy steel spur timing gears are taper mounted on the shafts, secured with a locknut. Cylindrical roller bearings are used on the drive end with ball bearings on the gear end.

Piston rings reduce air leakage through the shaft openings in the headplates, and lip-type oil seals prevent lubricant from entering the air chamber. The RCS incorporates thrust control, with splash oil lubrication at both ends of the blower.

All units are designed with detachable rugged steel mounting feet which permit in-field adaptability to either vertical or horizontal installation requirements.

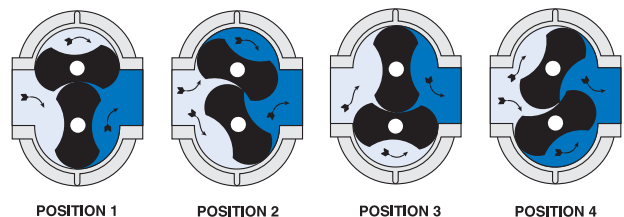
The top shaft is extended for drive on side outlet blowers, and either shaft can be extended for drive on top or bottom outlet blowers. All frame sizes are center-timed to allow rotation in either direction.



### DESIGN AND CONSTRUCTION FEATURES

1. Center-timed for rotation in either direction
2. Alloy steel timing gears
3. Cylindrical roller bearings (Ball bearings on drive end of 800 frame sizes)
4. Piston ring air seals
5. Lip-type oil seals
6. Splash oil lubrication
7. High volumetric efficiency
8. Horizontal and vertical configurations available

### OPERATING PRINCIPLE



Two figure-eight lobe impellers mounted on parallel shafts rotate in opposite directions. As each impeller passes the blower inlet, it traps a definite volume of air and carries it around the case to the blower outlet, where the air is discharged. With constant speed operation the displaced volume is essentially the same regardless of pressure, temperature or barometric pressure.

Timing gears control the relative position of the impellers to each other and maintain small but definite clearances. This allows operation without lubrication being required inside the air casing.



**Roots**

## PERFORMANCE TABLE

FRAME SIZE	SPEED RPM	4 PSI		6 PSI		8 PSI		10 PSI		12 PSI		15 PSI		MAX. VACUUM		
		CFM	BHP	CFM	BHP	CFM	BHP	CFM	BHP	CFM	BHP	CFM	BHP	"Hg	CFM	BHP
817	880	982	24.9	895	36.8	821	48.7	756	60.6					12.0	761	35.7
	1770	2368	55.5	2281	79.5	2207	103.5	2142	127.6	2083	151.6	2003	187.7	16.0	1959	101.4
	2250	3116	78.7	3028	109.2	2955	139.8	2890	170.4	2831	200.9	2751	246.8	16.0	2707	137.1
824	880	1326	33.1	1207	49.2	1108	65.4	1020	81.5					12.0	1028	48.2
	1770	3198	74.8	3080	107.2	2980	139.7	2892	172.2	2813	204.7	2705	253.4	16.0	2646	136.8
	2250	4208	105.6	4090	147.2	3990	188.5	3902	229.8	3823	271.1	3715	333.0	16.0	3656	184.9
827	880	1519	37.9	1383	56.4	1269	74.9	1169	93.4					12.0	1178	55.2
	1770	3665	85.5	3529	122.7	3415	159.9	3314	197.1	3223	234.3			16.0	3032	157.0
	2250	4822	120.9	4687	168.2	4572	215.5	4472	262.8	4381	310.1			16.0	4189	212.3

**Notes:** 1. Pressure ratings based on inlet air at standard pressure of 14.7 psia, standard temperature of 68° F, and specific gravity of 1.0.  
2. Vacuum ratings based on inlet air at standard temperature of 68°F, discharge pressure of 30" Hg and specific gravity of 1.0.

## OUTLINE DRAWING & DIMENSIONAL TABLE

**VERTICAL CONFIGURATION**  
(Horizontal Air Flow)

**HORIZONTAL CONFIGURATION**  
(Vertical Air Flow)

**NOTES:**  
1. All dimensions are in inches.  
2. Do not use for construction.

FRAME SIZE	A	A'	B	C	Drive Shaft Location		O	O'	P	P'	R	U	Keyway	AF Inlet Diameter	AF' Discharge Diameter	AX	Approx. NetWt (lbs)
					D	D1											
817	19.00	27.00	24.25	38.44	18.00	10.00	28.38	20.38	19.00	25.25	14.00	2.750	.625 x.313	10.0 FLG	10.0 FLG	4.00	1200
824	19.00	27.00	30.50	44.69	18.00	10.00	28.38	20.38	19.00	25.25	14.00	2.750	.625 x.313	12.0 FLG	12.0 FLG	4.00	1330
827	19.00	27.00	34.00	48.19	18.00	10.00	28.38	20.38	19.00	25.25	14.00	2.750	.625 x.313	14.0 FLG	14.0 FLG	4.00	1600

**Dresser, Inc.**



**Roots**

Dresser ROOTS  
2135 Hwy 6 South  
Houston, TX 77077  
PH: 281-966-4700  
FX: 281-966-4309  
Toll Free: 1-877-363-ROOT(S)

Dresser ROOTS - Connersville  
900 West Mount Street  
Connersville, IN 47331  
PH: 765-827-9200  
FX: 765-827-9266

Dresser ROOTS - Holmes Operation  
PO Box B7  
Off St. Andrews Rd  
Turnbridge, Huddersfield  
England HD1 6RB  
PH: +44-1484-422222  
FX: +44-1484-422668

S-5283  
February 2004

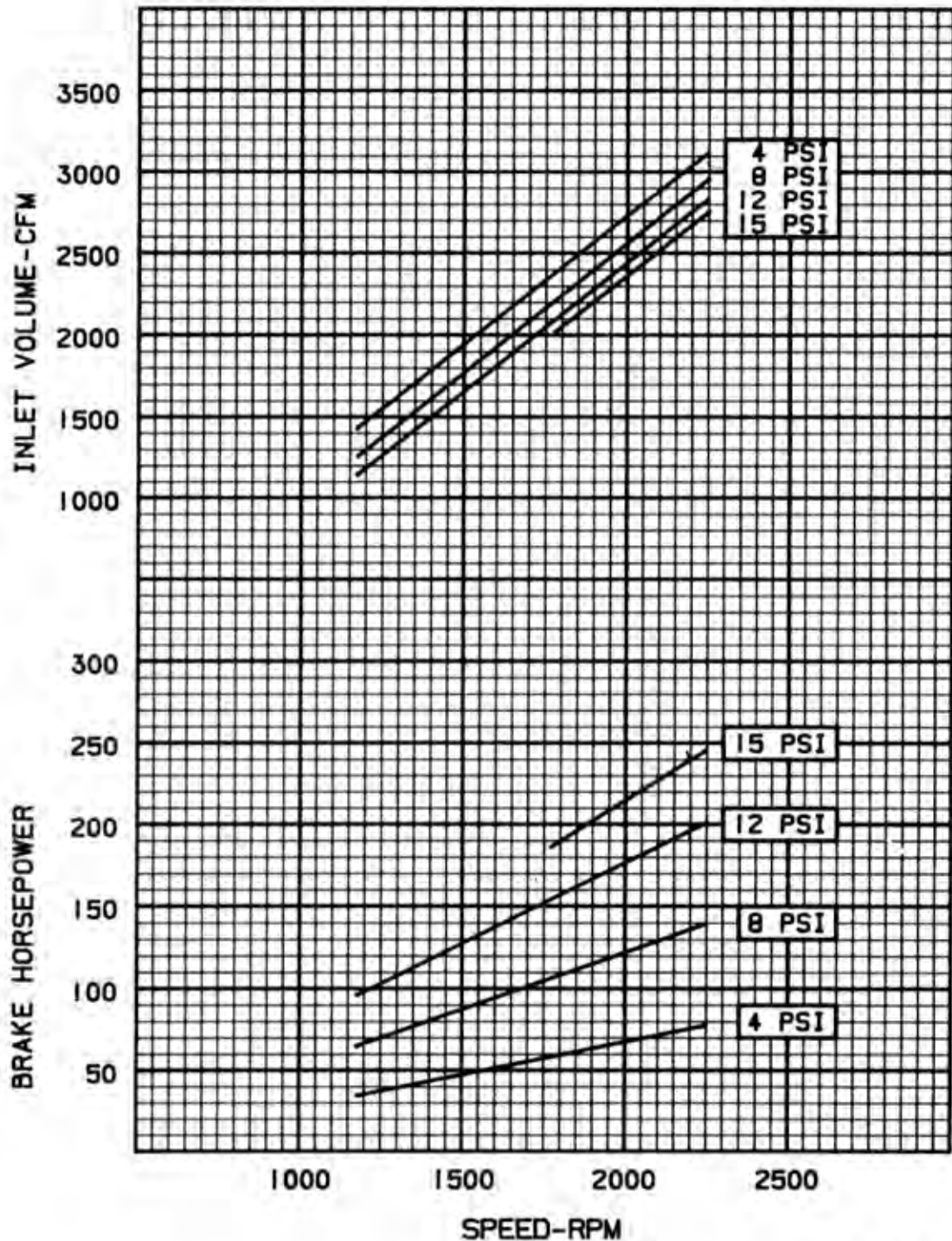
©2004 Dresser, Inc.  
ROOTS is a registered trademark of Dresser, Inc.  
Dresser Design is a registered trademark of Dresser, Inc.

website: [www.rootsblower.com](http://www.rootsblower.com) • email: [ROOTS@dresser.com](mailto:ROOTS@dresser.com)

DRESSER INDUSTRIES, INC.  
ROOTS DIVISION  
900 WEST MOUNT STREET  
CONNERSVILLE, INDIANA 47331  
PRINTED IN U.S.A.

PERFORMANCE BASED ON  
INLET AIR AT 14.7 PSIA & 68°F  
APRIL, 1989

PRESSURE PERFORMANCE  
FRAME 817 RCS BLOWER  
MAXIMUM PRESSURE RISE=15 PSI  
MAXIMUM SPEED=2250 RPM



DRESSER INDUSTRIES, INC.  
ROOTS DIVISION  
900 WEST MOUNT STREET  
CONNERSVILLE, INDIANA 47331  
PRINTED IN U.S.A.

PERFORMANCE BASED ON  
INLET AIR = 68°F  
DISCHARGE PRESSURE = 30" HG. ABS.  
APRIL, 1989

VACUUM PERFORMANCE  
FRAME 817 RCS BLOWER  
MAXIMUM VACUUM=16 IN. HG.  
MAXIMUM SPEED=2250 RPM

