



**Roots**

## 47 URAI-GAS

Part Number – 651100G0



- Detachable steel mounting feet (feet are different for horizontal and vertical mounting)
- Mechanical Seals
- Rigid one-piece cast iron casing
- Connections in standard pipe sizes
- Straight, precision machined two-lobe impellers
- Splash oil lubricated gears
- Carburized and ground alloy steel spur timing gears
- Anti-Friction gears
- Ground steel shafts
- Center Timed for rotation in either direction

### **Also Available in:**

- URAI
- URAI-DSL (Dual Splash Lube)
- URAI-J (Whispair)
- URAI-J-DSL
- URAI-Metric



816-741-0282



### **Quick Specs**

Flow Range	to 523 CFM
Max $\Delta$ Pressure	7 PSI
Max $\Delta$ Vacuum	15" Hg
Maximum RPM	3600
Minimum RPM	848
Max $\Delta$ T	225°F
Connection Size	3" FPT
Shaft Dia.	0.875"
Min Sheave Dia.	5"
Drive End Lubrication	Grease
Gear End Lubrication	Oil
Oil Sump Gear End Horiz Config	~14.5 oz
Oil Sump Gear End Vert Config	~12.7 oz
Bare Unit Weight	122 lbs
Container	Box
Box Size (L x W x H)	17" x 16" x 12"
Shipping Weight on Skid	~172 lbs
Recommended to Ship Via	Truck

**Universal RAI Series Gas Blowers Parts List**  
**3-1/2" & 5" Gear Diameter**  
 (Refer to drawing #T30099023)

Item Number	Part Name	Quantity
1	Headplate Gear End	1
2	Headplate Drive End	1
3	Gearbox	1
4	Timing Gears	2
5	Cover-Blind (Plug Opening)	1
7	Gasket, Gear Box	1
11	Cylinder	1
12	Impeller & Shaft Drive	1
13	Impeller & Shaft Driven	1
14	Bearing, Ball	3
15	Bearing, Roller	1
16	Pin, Dowel	4
17	Gear Nut	2
19	Key	1
21	Plug, Pipe	3
23	Screw Hex	8
25	Breather (Plug Vent)	1
26	Screw, Hex	14*
27	Seal, Bearing	4
31	Screw, Hex	4
32	Screw, Hex	4
33	Seal Lip-Drive	1
34	Clamp Plate	2
35	Foot	2
37	Fitting, Grease	2
38	Fitting, Relief	2
39	Washer Mounting	4
40	Screw Socket	2
42	Screw Hex	2

\*Quantity varies by blower.

**URAI GAS blower grease specifications.**

- When servicing drive end bearings of a URAI GAS blower, use the specified NLGI #2 premium grade aluminum complex\* grease, ROOTS P/N T20019001.
- Lithium based greases are not compatible with the specified and recommended ROOTS Synthetic grease used when assembling a GAS blower. **Lithium based grease is not approved for any ROOTS blowers.**

**Table 2 - Recommended Oil Grades**

Ambient* Temperature °F (°C)	ISO Viscosity No.
Above 90° (32°)	320
32° to 90° (0° to 32°)	220
0° to 32° (-18° to 0°)	150
Below 0° (-18°)	100

\*Ambient temperature is defined as the temperature of the space in which the blower and drive are located.

**Repair Kits**

Repair kits are bundled with the parts you need to complete a standard repair. It is more cost effective to buy a repair kit than to purchase individual parts. However, if you need parts not listed in the kit, it is recommended that you call Pathfinder Systems for parts pricing.

**P/N 651060RK Kit without Gears for 42, 45, 47 URAI-GAS**

Item	Qty	4" Kit Description	P/N
5	1	PLUG,OPENING for 2.4411	12957004
7	1	GSKT,GRBX 4 URAI TS9003	62757021
14	3	BRG,BALL	10987040
15	1	BRG,ROLLER	10222036
17	2	NUT,HEX ESNA 3/4-16	10319009
27	4	MECHANICAL SEAL	T20002002
31	4	SCR,CAP HEXH NYL 1/4-20X	11540003
33	1	SEAL,LIP (BUNA-N) 31/32"	12091010
38	2	PLUG, VENT 1/8"	13002001
44	4	WASHER, SEALING	T20005001

**P/N 65106GRK Kit with Gears for 42, 45, 47 URAI-GAS**

Item	Qty	4" Kit Description	P/N
4	1	GEAR,ASSY	63865021
5	1	PLUG,OPENING for 2.4411	12957004
7	1	GSKT,GRBX 4 URAI TS9003	62757021
14	3	BRG,BALL	10987040
15	1	BRG,ROLLER	10222036
17	2	NUT,HEX ESNA 3/4-16	10319009
27	4	MECHANICAL SEAL	T20002002
31	4	SCR,CAP HEXH NYL 1/4-20X	11540003
33	1	SEAL,LIP (BUNA-N) 31/32"	12091010
38	4	PLUG, VENT 1/8"	13002001
44	4	WASHER, SEALING	T20005001

**ROOTS® Synthetic Oil: ISO-VG-320 Grade**

	Part Number
Quart	13106004
Gallon	13106005
Case (12 qts)	13106007

**ROOTS® Synthetic Oil: ISO-VG-220 Grade**

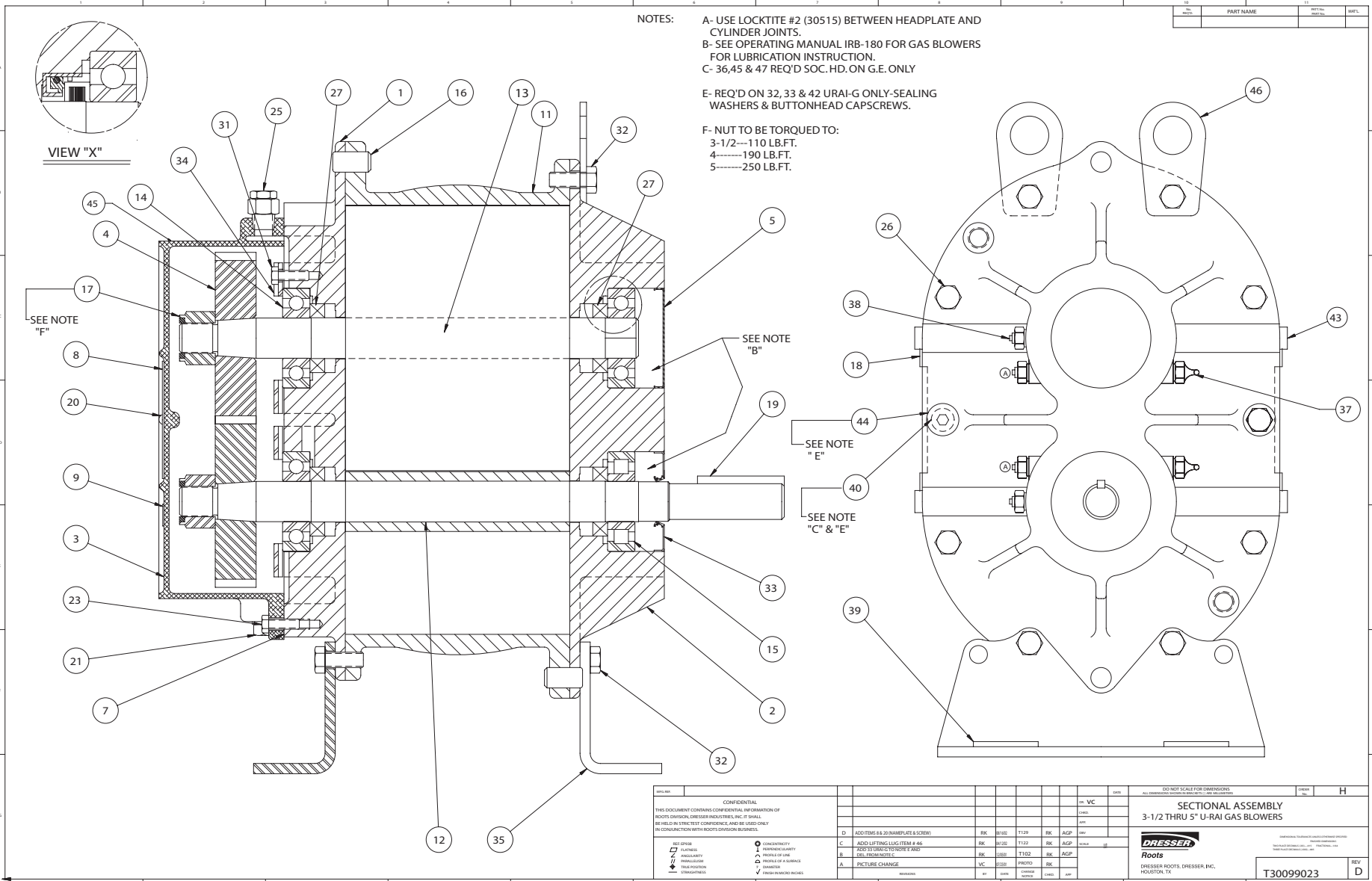
	Part Number
Quart	13106001
Gallon	13106002
Case (12 qts)	13106008

**ROOTS® Synthetic Oil: ISO-VG-150 Grade**

	Part Number
Quart	13106020
Gallon	13106021
Case (12 qts)	13106023
5 Gallon Pail	13106022
55 Gallon Drum	13106025

**ROOTS® Synthetic Oil: ISO-VG-100 Grade**

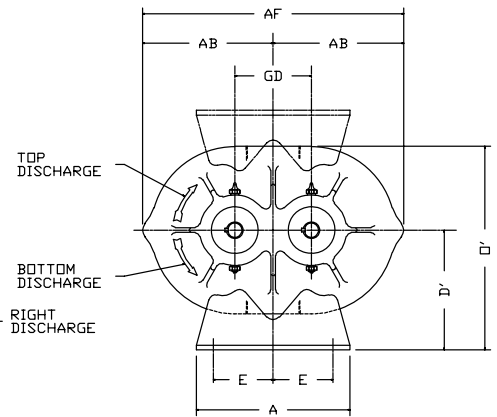
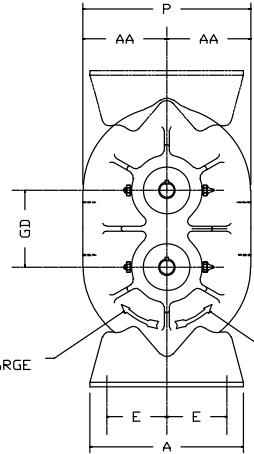
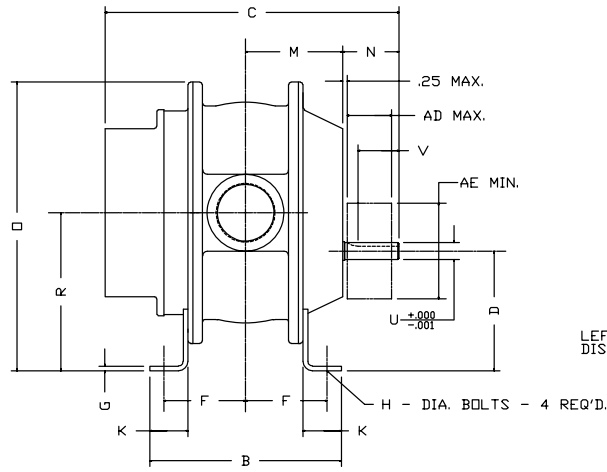
	Part Number
Quart	13106011
Gallon	13106012
Case (12 qts)	13106014
5 Gallon Pail	13106013
55 Gallon Drum	13106016



Assembly of UNIVERSAL RAI-G Series Gas Blowers, 3-1/2" through 5" Gear Diameter

FRAME	APPROX. OIL CAPACITY	
	VERTICAL	HORIZONTAL
2-1/2	3.4 FL. OZ.	6.1 FL. OZ.
3-1/2	8.5 FL. OZ.	16 FL. OZ.
4	12.7 FL. OZ.	22.8 FL. OZ.
5	16.0 FL. OZ.	27.6 FL. OZ.

No. REQ'D.	PART NAME	PATT. No. PART No.	MAT'L.



W - INLET & DISCHARGE  
 AD - SHEAVE WIDTH  
 AE - SHEAVE DIAMETER

ALL DIMENSIONS IN INCHES

# UNIVERSAL<sup>®</sup> RAI BLOWER

FRAME SIZE	GD	A	B	C	D	D'	E MIN.	E MAX.	F MIN.	F MAX.	G	H	K	M	N	Ø	Ø'	P	R	U	KEYWAY	W NPT.	V	AA	AB	AD	AE	AF	APPROX. WT. LBS
22	2.5	5.13	5.00	9.75	3.75	3.75	1.50	2.00	2.00	2.00	.25	.38	1.25	2.63	2.50	9.63	6.88	6.25	5.00	.625	.188x.094	1"	1.81	3.13	4.63	1.75	4.00	9.25	32
24			7.00	11.75					3.00	3.00				3.63							2"								43
32	3.50	7.25	6.75	11.25	5.00	5.00	2.50	2.88	2.56	2.81	.25	.44	1.75	3.38	2.44	12.81	8.88	7.75	6.75	.750	.188x.094	1-1/4"	1.63	3.88	6.06	1.91	5.00	12.13	69
33			7.63	12.13					3.00	3.25				3.81							2"								74
36			10.00	14.63					4.18	4.44				5.00	2.56						2-1/2"	1.75							102
42	4.00	8.00	7.25	13.00	6.25	6.25	3.00	3.13	2.50	3.13	.31	.44	2.00	3.68	3.18	15.06	10.63	8.75	8.25	.875	.188x.094	1-1/2"	2.31	4.38	6.81	2.31	5.00	13.63	88
45			10.00	15.50					3.56	4.25				5.06	2.94						2-1/2"	2.13							109
47			11.75	17.63					4.63	5.38				5.94	3.31		10.50	8.50			3"	2.50	4.25					128	
53	5.00	10.50	8.38	15.38	6.25	6.75	3.50	3.50	3.18	3.68	.25	.50	1.88	4.50	3.68	17.38	11.88	10.25	8.75	1.125	.25 x.125	2-1/2"	2.75	5.13	8.63	3.06	6.00	17.25	143
56			11.00	17.50					4.25	5.00				5.81	3.38		12.25	11.00			4"	2.50	5.50					170	
59			14.00	21.00					6.00	6.50				7.31	3.88						4"	3.00							204

MFG. REF.	CONFIDENTIAL	DATE	8/29/84
THIS DOCUMENT CONTAINS CONFIDENTIAL INFORMATION OF ROOTS DIVISION, DRESSER INDUSTRIES, INC. IT SHALL BE HELD IN STRICTEST CONFIDENCE, AND BE USED ONLY IN CONJUNCTION WITH ROOTS DIVISION BUSINESS.	DR. DB	CHKD.	
REF: EP938	CONCENTRICITY	APP. FCR	
□ FLATNESS	⊥ PERPENDICULARITY	DBV	
∠ ANGULARITY	— PROFILE OF LINE	SCALE	
// PARALLELISM	⊖ PROFILE OF A SURFACE	CAD FILE / DIRECTORY	
⊕ TRUE POSITION	∅ DIAMETER		
— STRAIGHTNESS	✓ FINISH IN MICRO INCHES / PARTS/XXAD 62795021		
	REVISIONS	BY	DATE
		CHANGE NOTICE	CHKD.
			APP

DO NOT SCALE FOR DIMENSIONS  
 ALL DIMENSIONS SHOWN IN BRACKETS ( ) ARE MILLIMETERS

ORDER No.

## ASSY DIM 22-59 URAI VH

ROOTS DIVISION  
 DRESSER EQUIPMENT GROUP  
 A HALLIBURTON COMPANY  
 CONNERSVILLE, IN USA

DIMENSIONAL TOLERANCES UNLESS OTHERWISE SPECIFIED  
 FINISHED DIMENSIONS  
 TWO PLACE DECIMALS 000--0.005 FRACTIONAL--1/64  
 THREE PLACE DECIMALS 0000--0.005

62795021

REV E

# ROOTS™ Universal RAI®-G Rotary Positive Gas Blowers

Frames 32 thru 615



## BASIC BLOWER DESCRIPTION

Universal RAI®-G gas blowers are heavy duty rotary blowers designed with mechanical seals. The detachable rugged steel mounting feet, permit adaptability to either vertical or horizontal installation requirements. The compact, sturdy design is engineered for continuous service when operated in accordance with speed and pressure ratings.

The basic model consists of a cast iron casing, carburized and ground alloy steel spur timing gears secured to steel shafts with a taper mounting and locknut, and cast iron involute impellers. Oversized anti-friction bearings are used, with a cylindrical roller bearing at the drive shaft to withstand V-belt pull. The Universal RAI®-G features splash oil lube on the gear end and grease lube on the drive end.

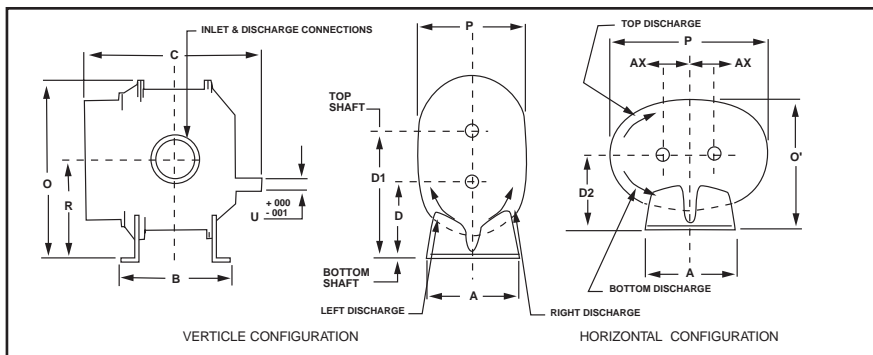
Accessories are available through our distributors.

ROOTS™ Synthetic Oil and grease is recommended to maintain warranty.

## DESIGN AND CONSTRUCTION FEATURES

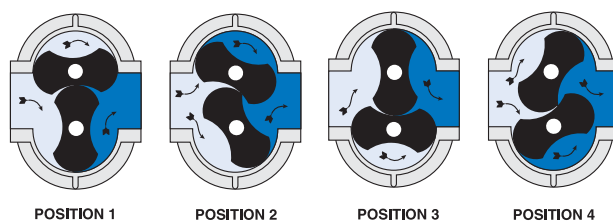
1. Mechanical seals
2. Rigid one-piece cast iron casing
3. Anti-friction bearings
4. Splash oil lubricated spur timing gears
5. Connections in standard pipe sizes
6. Straight, precision machined two-lobe impellers
7. Ground steel shafts
8. Detachable steel mounting feet

## OUTLINE DRAWING & DIMENSIONAL TABLE



Frame Size	A	B	C	Drive Shaft Location			O	O'	P	P'	R	U	Keyway	Inlet & Disch. Dia	AX	Approx. Net Wt. (lbs.)
				D	D1	D2										
32	7.25	6.75	11.25	5.00	8.50	5.00	12.81	8.88	7.75	12.13	6.75	.750	.188 x .094	1.25 NPT	1.75	69
33	7.25	7.63	12.13	5.00	8.50	5.00	12.81	8.88	7.75	12.13	6.75	.750	.188 x .094	2.0 NPT	1.75	74
36	7.25	10.00	14.63	5.00	8.50	5.00	12.81	8.88	7.75	12.13	6.75	.750	.188 x .094	2.5 NPT	1.75	102
42	8.00	7.25	13.00	6.25	10.25	6.25	15.06	10.63	8.75	13.63	8.25	.875	.188 x .094	1.5 NPT	2.00	88
45	8.00	10.00	15.50	6.25	10.25	6.25	15.06	10.63	8.75	13.63	8.25	.875	.188 x .094	2.5 NPT	2.00	109
47	8.00	11.75	17.63	6.25	10.25	6.25	15.06	10.50	8.50	13.63	8.25	.875	.188 x .094	3.0 NPT	2.00	128
53	10.50	8.38	15.38	6.25	11.25	6.75	17.38	11.88	10.25	17.25	8.75	1.125	.250 x .125	2.5 NPT	2.50	143
56	10.50	11.00	18.00	6.25	11.25	6.75	17.38	12.25	11.00	17.25	8.75	1.125	.250 x .125	4.0 NPT	2.50	170
59	10.50	14.00	21.18	6.25	11.25	6.75	17.38	12.25	11.00	17.25	8.75	1.125	.250 x .125	4.0 NPT	2.50	204
65	11.00*	10.00	18.38	8.75	14.75	8.75	21.63	15.13	12.75	19.75	11.75	1.375	.312 x .156	3.0 NPT	3.00	245
68	11.00*	13.00	21.38	8.75	14.75	8.75	21.63	15.13	12.75	19.75	11.75	1.375	.312 x .156	5.0 NPT	3.00	285
615	11.00*	20.00	28.38	8.75	14.75	8.75	21.63	16.25	15.00	19.75	11.75	1.375	.312 x .156	6.0 FLG	3.00	425

## OPERATING PRINCIPLE



Two figure-eight lobe impellers mounted on parallel shafts rotate in opposite directions. As each impeller passes the blower inlet, it traps a definite volume of gas and carries it around the case to the blower outlet, where the gas is discharged. With constant speed operation, the displaced volume is essentially the same regardless of pressure, temperature or barometric pressure.

Timing gears control the relative position of the impellers to each other and maintain small but definite clearances. This allows operation without lubrication being required inside the gas casing.

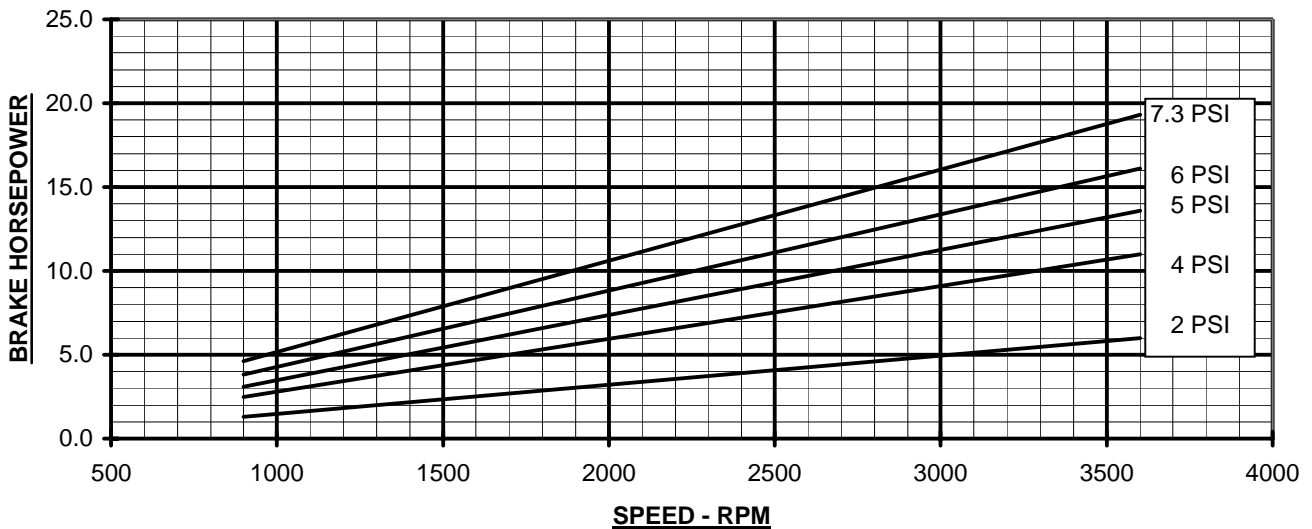
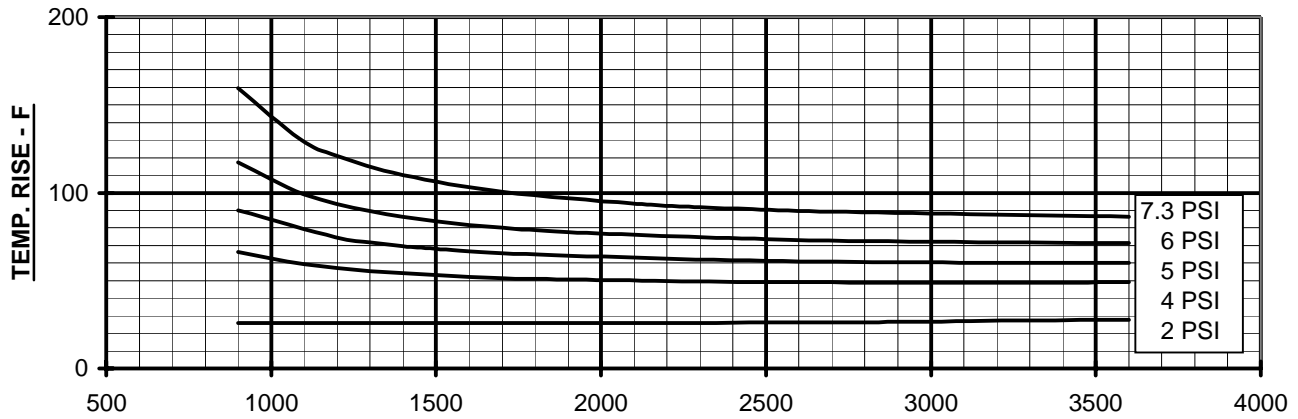
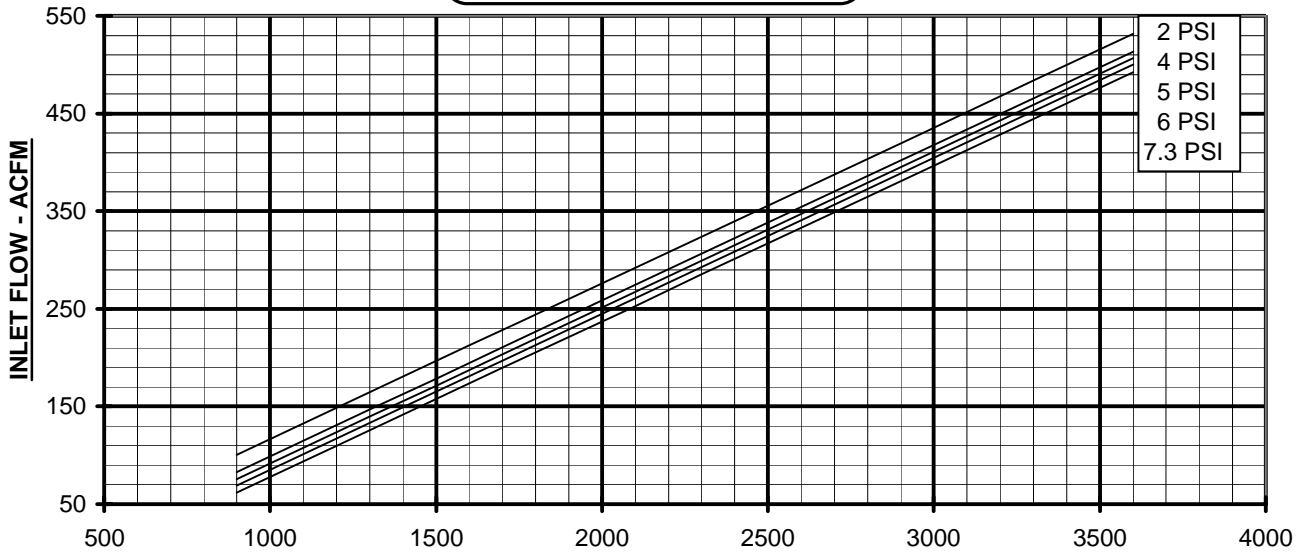






PERFORMANCE BASED ON AIR,  
 INLET AT 14.7 PSIA & 68°F  
 DECEMBER 2004

**PRESSURE PERFORMANCE**  
**FRAME 47 U-RAI**  
 MAX. PRESSURE RISE = 7.3 PSI  
 MAX. SPEED = 3600 RPM





**VACUUM PERFORMANCE**  
**FRAME 47 U-RAI**  
 MAX. VACUUM = 15" HG  
 MAX. SPEED = 3600 RPM

PERFORMANCE BASED ON AIR,  
 INLET AT 68°F  
 DISCHARGE PRESSURE = 30" HG ABS.  
 DECEMBER 2004

