



Roots

47 URAI-J

Part Number – 74087020



Patented WHISPAIR™ blowers operate with up to 40% less pressure pulsation than conventional blowers, due to the pressure equalizing effect of the WHISPAIR jet design. This design results in longer bearing life, lower vibration, and reduces noise by approximately 5 dBA vacuum and 3 dBA pressure.

- Detachable steel mounting feet
- Rigid one-piece cast iron casing
- Connections in standard pipe sizes
- Straight, precision machined two-lobe impellers
- Splash oil lubricated gears
- Carburized and ground alloy steel spur timing gears
- Anti-Friction gears
- Ground steel shafts

Also Available in:

- URAI
- URAI-DSL (Dual Splash Lube)
- URAI-J (Whispair)
- URAI-G (Gas)
- URAI-Metric



816-741-0282



Quick Specs

Flow Range	to 523 CFM
Max ΔPressure	7 PSI
Max ΔVacuum	15" Hg
Maximum RPM	3600
Minimum RPM	848
Max ΔT	225°F
Connection Size	3" FPT
Shaft Dia.	0.875"
Min Sheave Dia.	5"
Drive End Lubrication	Grease
Gear End Lubrication	Oil
Oil Sump Gear End Horiz Config	~14.5 oz
Oil Sump Gear End Vert Config	~12.7 oz
Bare Unit Weight	138 lbs
Container	Box
Box Size (L x W x H)	17" x 16" x 12"
Shipping Weight on Skid	~188 lbs
Recommended to Ship Via	Truck



816-741-0282

**Universal RAI Series Blowers Parts List
2-1/2" – 5" Gear Diameter**

(Refer to drawing #64720023)

Item #	Part Name	Qty.
1	Headplate Gear End	1
2	Headplate Drive End	1
3	Gearbox	1
4	Timing Gears	2
5	Cover-Blind (Plug Opening)	1
7	Gasket, Gear Box	1
11	Cylinder	1
12	Impeller & Shaft Drive	1
13	Impeller & Shaft Driven	1
14	Bearing, Ball	3
15	Bearing, Roller	1
16	Pin, Dowel	4
17	Gear Nut	2
19	Key	1
21	Plug, Pipe	3
23	Screw Hex	6
25	Breather (Plug Vent)	1
26	Screw, Hex	*
27	Seal, Lip Bearing	4
31	Screw, Hex, Nylock	4
32	Screw, Hex	6
33	Seal Lip-Drive	1
34	Clamp Plate	2
35	Foot	2
37	Fitting, Grease	2
38	Fitting, Relief	2
39	Washer Mounting	4
40	Screw Socket	2
42	Screw Hex	2

*Quantities vary by blower.

Table 2 - Recommended Oil Grades

Ambient* Temperature °F (°C)	ISO Viscosity No.
Above 90° (32°)	320
32° to 90° (0° to 32°)	220
0° to 32° (-18° to 0°)	150
Below 0° (-18°)	100

in which the

*Ambient temperature is defined as the temperature of the space blower and drive are located.

Due to sludge build-up and seal leakage problems, Roots recommendation is DO NOT USE Mobil SHC synthetic oils in ROOTS blowers.

- When servicing drive end bearings of a AIR_w with the blower, use the specified and recommended Shell Darina SD 2 NLGI #2 product code 5067628.
- Lithium based greases are not compatible specified and recommended Shell Darina SD 2 grease used when assembling the blower. **Lithium based grease is not approved for any ROOTS blowers.**

Repair Kits

Repair kits are bundled with the parts you need to complete a standard repair. It is more cost effective to buy a repair kit than to purchase individual parts. However, if you need parts not listed in the kit, it is recommended that you call Pathfinder Systems for parts pricing.

P/N 651080RK Kit without Gears for 42, 45, 47 URAI, URAI-DSL, URAI-J, URAI-J-DSL, URAI-Metric, URAI-DSL-Metric

Item	Qty	4" Kit Description	P/N
5	1	PLUG,OPENING for 2.4411	12957004
7	2	GSKT,GRBX 4 URAI TS9003	62757021
14	3	BRG,BALL	10987040
15	1	BRG,ROLLER	10222036
17	2	NUT,HEX ESNA 3/4-16	10319009
27	4	SEAL,LIP(VITON) 1 SFT	10005158
31	4	SCR,CAP HEXH NYL 1/4-20X	11540003
33	1	SEAL,LIP for GREASE LUBE	12091010
33A	1	SEAL,LIP for DSL	T20082002

P/N 651070RK Kit with Gears for 42, 45, 47 URAI, URAI-DSL, URAI-J, URAI-J-DSL, URAI-Metric, URAI-DSL-Metric

Item	Qty	4" Kit Description	P/N
4	1	GEAR,ASSY 4 URAI T/B	63865021
5	1	PLUG,OPENING for 2.4411	12957004
7	2	GSKT,GRBX 4 URAI TS9003	62757021
14	3	BRG,BALL	10987040
15	1	BRG,ROLLER	10222036
17	2	NUT,HEX ESNA 3/4-16	10319009
27	4	SEAL,LIP(VITON) 1 SFT	10005158
31	4	SCR,CAP HEXH NYL 1/4-20X	11540003
33	1	SEAL,LIP for GREASE LUBE	12091010
33A	1	SEAL,LIP for DSL	T20082002

ROOTS® Synthetic Oil: ISO-VG-320 Grade

	Part Number
Quart	13106004
Gallon	13106005
Case (12 qts)	13106007

ROOTS® Synthetic Oil: ISO-VG-220 Grade

	Part Number
Quart	13106001
Gallon	13106002
Case (12 qts)	13106008

ROOTS® Synthetic Oil: ISO-VG-150 Grade

	Part Number
Quart	13106020
Gallon	13106021
Case (12 qts)	13106023
5 Gallon Pail	13106022
55 Gallon Drum	13106025

ROOTS® Synthetic Oil: ISO-VG-100 Grade

	Part Number
Quart	13106011
Gallon	13106012
Case (12 qts)	13106014
5 Gallon Pail	13106013
55 Gallon Drum	13106016

NOTES:

A- INSTALL ITEM #20 (SCREW) IN ASSEMBLY

B- SEE OPERATING MANUAL IRB-180 FOR LUBRICATION INSTRUCTION

C- 2-1/2, 3-1/2, & 4" REQ'D SOC. HD. ON G.E. ONLY

E- REQ'D ON 22 & 42 ONLY

F- NUT TO BE TORQUED TO:

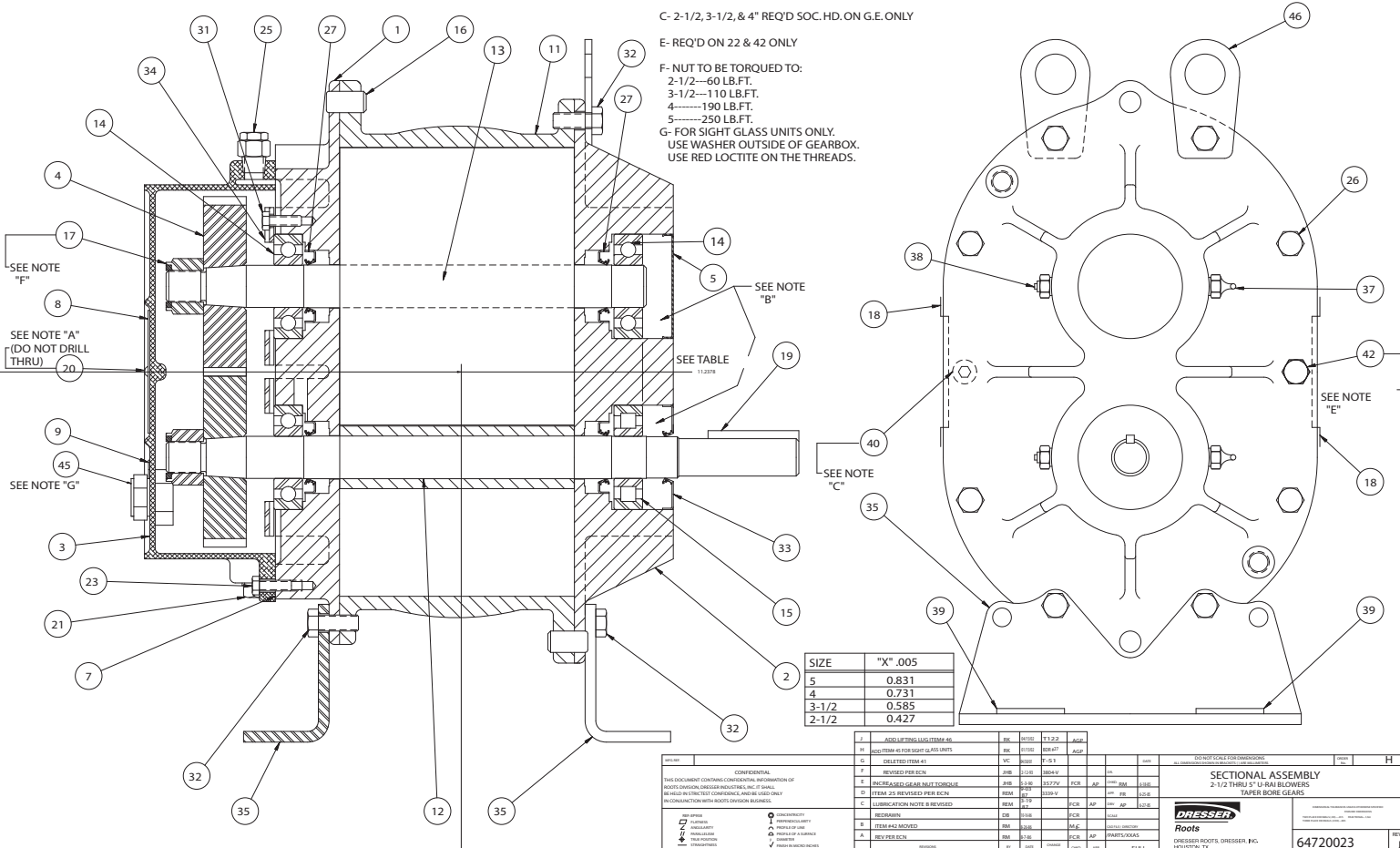
2-1/2---60 LB.FT.

3-1/2---110 LB.FT.

4---190 LB.FT.

5---250 LB.FT.

G- FOR SIGHT GLASS UNITS ONLY. USE WASHER OUTSIDE OF GEARBOX. USE RED LITTE ON THE THREADS.



SEE NOTE "F"

SEE NOTE "A" (DO NOT DRILL THRU)

SEE NOTE "G"

SEE NOTE "B"

SEE TABLE 11.2378

SEE NOTE "C"

SEE NOTE "E"

SIZE	"X" .005
5	0.831
4	0.731
3-1/2	0.585
2-1/2	0.427

REV	DATE	DESCRIPTION	BY	CHKD	APP'D	DATE	REV	DATE	DESCRIPTION	BY	CHKD	APP'D	DATE
1		ISSUE FOR TESTING (ITEM #6)											
2		REVISED FOR SHIP											
3		REVISED FOR SHIP											
4		REVISED FOR SHIP											
5		REVISED FOR SHIP											
6		REVISED FOR SHIP											
7		REVISED FOR SHIP											
8		REVISED FOR SHIP											
9		REVISED FOR SHIP											
10		REVISED FOR SHIP											
11		REVISED FOR SHIP											
12		REVISED FOR SHIP											
13		REVISED FOR SHIP											
14		REVISED FOR SHIP											
15		REVISED FOR SHIP											
16		REVISED FOR SHIP											
17		REVISED FOR SHIP											
18		REVISED FOR SHIP											
19		REVISED FOR SHIP											
20		REVISED FOR SHIP											
21		REVISED FOR SHIP											
22		REVISED FOR SHIP											
23		REVISED FOR SHIP											
24		REVISED FOR SHIP											
25		REVISED FOR SHIP											
26		REVISED FOR SHIP											
27		REVISED FOR SHIP											
28		REVISED FOR SHIP											
29		REVISED FOR SHIP											
30		REVISED FOR SHIP											
31		REVISED FOR SHIP											
32		REVISED FOR SHIP											
33		REVISED FOR SHIP											
34		REVISED FOR SHIP											
35		REVISED FOR SHIP											
36		REVISED FOR SHIP											
37		REVISED FOR SHIP											
38		REVISED FOR SHIP											
39		REVISED FOR SHIP											
40		REVISED FOR SHIP											
41		REVISED FOR SHIP											
42		REVISED FOR SHIP											
43		REVISED FOR SHIP											
44		REVISED FOR SHIP											
45		REVISED FOR SHIP											
46		REVISED FOR SHIP											

SECTIONAL ASSEMBLY
2-1/2 THRU 5" U-BAL BLOWERS
TAPER ROSE GEARS

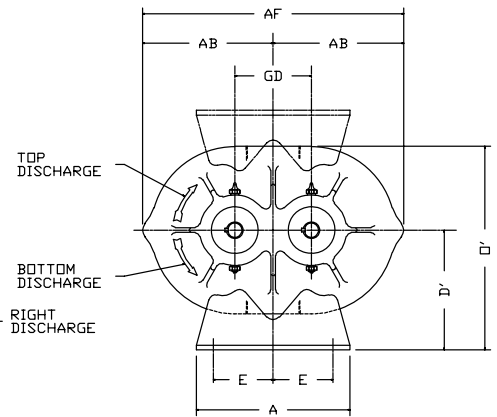
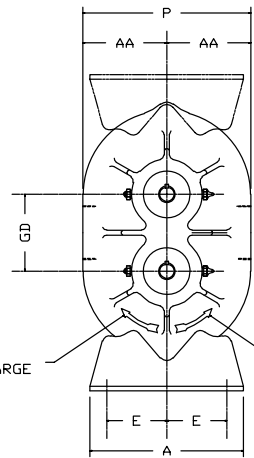
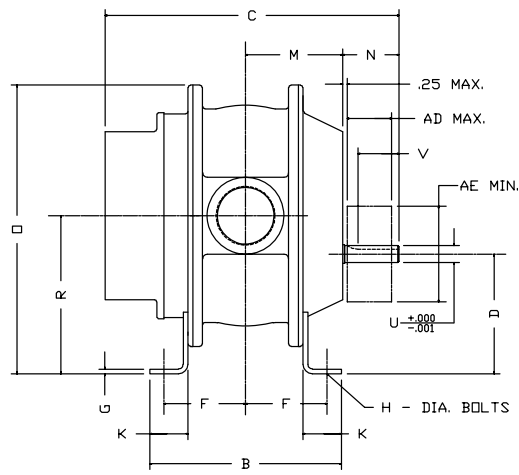
DRESSER
Roots
DRESSER ROOTS, DRESSER, INC.
INDUSTRIAL, TX

64720023

REV J

FRAME	APPROX. OIL CAPACITY	
	VERTICAL	HORIZONTAL
2-1/2	3.4 FL. OZ.	6.1 FL. OZ.
3-1/2	8.5 FL. OZ.	16 FL. OZ.
4	12.7 FL. OZ.	22.8 FL. OZ.
5	16.0 FL. OZ.	27.6 FL. OZ.

No. REQ'D.	PART NAME	PATT. No. PART No.	MAT'L.



W - INLET & DISCHARGE
 AD - SHEAVE WIDTH
 AE - SHEAVE DIAMETER

ALL DIMENSIONS IN INCHES

UNIVERSAL[®] RAI BLOWER

FRAME SIZE	GD	A	B	C	D	D'	E MIN.	E MAX.	F MIN.	F MAX.	G	H	K	M	N	O	O'	P	R	U	KEYWAY	W NPT.	V	AA	AB	AD	AE	AF	APPROX. WT. LBS
22	2.5	5.13	5.00	9.75	3.75	3.75	1.50	2.00	2.00	2.00	.25	.38	1.25	2.63	2.50	9.63	6.88	6.25	5.00	.625	.188x.094	1"	1.81	3.13	4.63	1.75	4.00	9.25	32
24	"	"	7.00	11.75	"	"	"	"	3.00	3.00	"	"	"	3.63	"	"	"	"	"	"	"	2"	"	"	"	"	"	"	43
32	3.50	7.25	6.75	11.25	5.00	5.00	2.50	2.88	2.56	2.81	.25	.44	1.75	3.38	2.44	12.81	8.88	7.75	6.75	.750	.188x.094	1-1/4"	1.63	3.88	6.06	1.91	5.00	12.13	69
33	"	"	7.63	12.13	"	"	"	"	3.00	3.25	"	"	"	3.81	"	"	"	"	"	"	"	2"	"	"	"	"	"	"	74
36	"	"	10.00	14.63	"	"	"	"	4.18	4.44	"	"	"	5.00	2.56	"	"	"	"	"	"	2-1/2"	1.75	"	"	"	"	"	102
42	4.00	8.00	7.25	13.00	6.25	6.25	3.00	3.13	2.50	3.13	.31	.44	2.00	3.68	3.18	15.06	10.63	8.75	8.25	.875	.188x.094	1-1/2"	2.31	4.38	6.81	2.31	5.00	13.63	88
45	"	"	10.00	15.50	"	"	"	"	3.56	4.25	"	"	"	5.06	2.94	"	"	"	"	"	"	2-1/2"	2.13	"	"	"	"	"	109
47	"	"	11.75	17.63	"	"	"	"	4.63	5.38	"	"	"	5.94	3.31	"	10.50	8.50	"	"	"	3"	2.50	4.25	"	"	"	"	128
53	5.00	10.50	8.38	15.38	6.25	6.75	3.50	3.50	3.18	3.68	.25	.50	1.88	4.50	3.68	17.38	11.88	10.25	8.75	1.125	.25 x.125	2-1/2"	2.75	5.13	8.63	3.06	6.00	17.25	143
56	"	"	11.00	17.50	"	"	"	"	4.25	5.00	"	"	"	5.81	3.38	"	12.25	11.00	"	"	"	4"	2.50	5.50	"	"	"	"	170
59	"	"	14.00	21.00	"	"	"	"	6.00	6.50	"	"	"	7.31	3.88	"	"	"	"	"	"	4"	3.00	"	"	"	"	"	204

MFG. REF.	CONFIDENTIAL	DATE	8/29/84
THIS DOCUMENT CONTAINS CONFIDENTIAL INFORMATION OF ROOTS DIVISION, DRESSER INDUSTRIES, INC. IT SHALL BE HELD IN STRICTEST CONFIDENCE, AND BE USED ONLY IN CONJUNCTION WITH ROOTS DIVISION BUSINESS.	DR. DB	CHKD.	
REF: EP938	REVISION ON 'C' FROM 18.00 TO 17.50	APP. FCR	
⊖ CONCENTRICITY	D UPDATED TITLE BLOCK 9/25/91	DBV	
□ FLATNESS	C CORRECTED FRAME 36 REM 8/14/90	SCALE	
∠ ANGULARITY	B ADDED FRAME 32 RVE 6/22/90	CAD FILE / DIRECTORY	
∥ PARALLELISM	A REV. FRAM 59 REM 6/9/88		
⊕ TRUE POSITION			
— STRAIGHTNESS			
⊙ PERPENDICULARITY			
— PROFILE OF LINE			
— PROFILE OF A SURFACE			
∅ DIAMETER			
✓ FINISH IN MICRO INCHES /PARTS/XXAD 62795021			

DO NOT SCALE FOR DIMENSIONS
 ALL DIMENSIONS SHOWN IN BRACKETS () ARE MILLIMETERS

ORDER No.

ASSY DIM 22-59 URAI VH

ROOTS DIVISION
 DRESSER EQUIPMENT GROUP
 A HALLIBURTON COMPANY
 CONNERSVILLE, IN USA

DIMENSIONAL TOLERANCES UNLESS OTHERWISE SPECIFIED
 FINISHED DIMENSIONS
 TWO PLACE DECIMALS 000--0.015 FRACTIONAL--1/64
 THREE PLACE DECIMALS 0000--0.005

62795021

REV E

ROOTS™ UNIVERSAL RAI-J® WHISPAIR™ ROTARY POSITIVE BLOWERS

Frames 33J thru 56J

BASIC BLOWER DESCRIPTION

Patented Universal RAI-J® WHISPAIR™ blowers are heavy duty rotary units in a compact, sturdy design, engineered for continuous service when operated within speed and vacuum/pressure ratings.

The basic model features a cast iron casing with a computer-designed cast relief for noise and shock suppression, carburized and ground alloy steel spur timing gears secured to steel shafts with a taper mounting and locknut, and cast iron involute impellers. Oversized anti-friction bearings are used, with a cylindrical roller bearing at the drive shaft to withstand V-belt pull. Detachable rugged steel mounting feet permit easy in-field adaptability to either vertical or horizontal installation requirements.

The Universal RAI-J® incorporates grease lube on the drive end and splash lube on the gear end. ROOTS' exclusive "figure-eight" gearbox design improves oil distribution to maximize bearing and gear life.

LOWER AIR PULSATION

Patented WHISPAIR™ blowers operate with up to 40% less pressure pulsation than conventional blowers, due to the pressure equalizing effect of the WHISPAIR™ jet design.

In conventional blowers, as the impeller opens up to the outlet port, the higher pressure air in the discharge line rapidly expands into the lower pressure pocket

formed by the impeller and the blower case. The resulting shock wave strikes the advancing surface of the impeller at near-sonic velocity. Four pressure pulses occur during each revolution, transmitting shock loads to the gear and bearings.



LONGER BEARING LIFE

The pre-pressurization of the low pressure pocket through the WHISPAIR™ jet cavity smooths the pulsations, resulting in less shock being transmitted through the impellers to the bearings, providing longer bearing life.

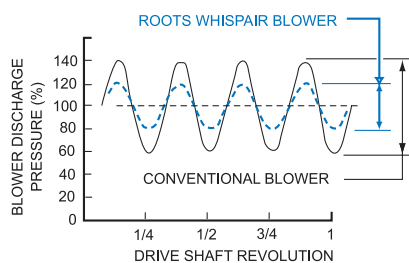
LOWER VIBRATION

The reduction in the magnitude of the pressure pulsation results in smoother operation.

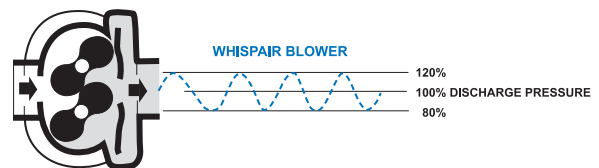
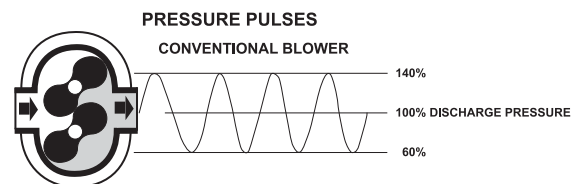
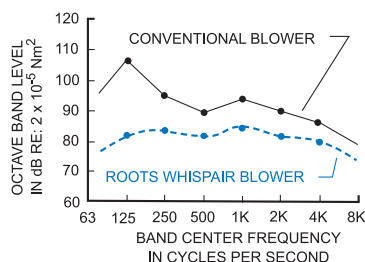
LOWER NOISE

The pressure pulses, inherent in the rotary-lobe design, are also the major source of blower noise. The rapid backflow of air into the blower from the discharge line, four times per revolution, results in high noise levels in a conventional blower. The WHISPAIR™ jet design controls the backflow of air into the blower, reducing noise by approximately 5 dBA vacuum, 3 dB pressure.

PEAK-TO-PEAK PRESSURE PULSE



TYPICAL BLOWER NOISE CURVE



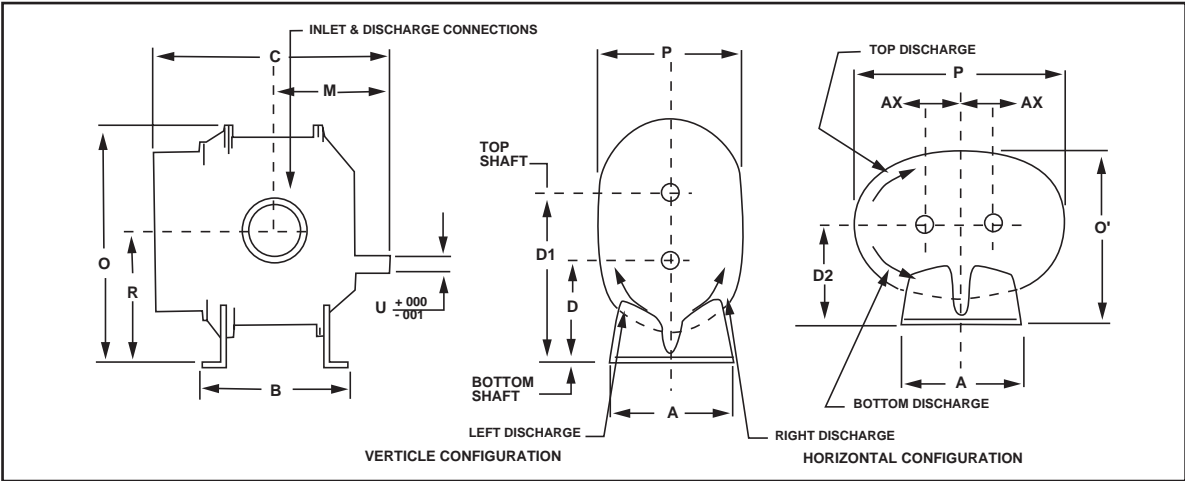
Roots

PERFORMANCE TABLE: ROOTS Universal URAI-J

Frame Size	Speed	4 PSI		5 PSI		6 PSI		7 PSI		8 PSI		9 PSI		10 PSI		12 PSI		13 PSI		VACUUM DATA		
		CFM	BHP	CFM	BHP	CFM	BHP	CFM	BHP	CFM	BHP	CFM	BHP	CFM	BHP	CFM	BHP	CFM	BHP	INHG	CFM	BHP
33UJ	1750	75	1.9	71	2.4	67	2.9	64	3.3	61	3.8	58	4.3	56	4.7	51	5.7			13	53	3.0
	2950	149	3.3	145	4.1	141	4.9	138	5.7	135	6.5	132	7.3	130	8.1	125	9.7			15	119	5.9
	3550	186	4.1	182	5.0	178	6.0	175	6.9	172	7.9	169	8.8	167	9.8	162	11.7			15	156	7.2
36UJ	1750	132	3.2	126	3.9	121	4.7	117	5.5											14	95	5.4
	2950	254	5.5	249	6.8	244	8.1	239	9.4											15	212	9.8
	3550	316	6.7	310	8.3	305	9.9	300	11.5											15	273	11.9
45UJ	1750	161	3.8	155	4.7	150	5.6	145	6.6	140	7.5	136	8.4	132	9.3					14	121	6.4
	2950	306	6.7	300	8.2	295	9.8	290	11.3	285	12.9	281	14.4	277	16.0					16	253	12.5
	3550	379	8.2	373	10.1	368	12.0	363	13.9	358	15.7	354	17.6	349	19.5					16	326	15.2
47UJ	1750	215	5.0	208	6.2	201	7.4	195	8.6											14	165	8.4
	2950	407	8.8	399	10.8	392	12.9	386	14.9											15	348	15.4
	3550	502	10.9	495	13.3	488	15.8	482	18.3											15	444	18.8
56UJ	1170	196	4.6	188	5.7	182	6.9	175	8.0	170	9.1	164	10.2	159	11.4	150	13.6			14	146	7.8
	1750	324	7.0	316	8.7	310	10.4	304	12.1	298	13.8	292	15.5	287	17.2	278	20.5	273	22.2	15	266	12.6
	2850	567	12.2	560	15.0	553	17.7	547	20.5	541	23.2	536	26.0	530	28.7	521	34.2	517	37.0	16	501	22.4

NOTES: 1. Performance based on inlet air at standard pressure of 14.7 psia, standard temperature of 68° F, and specific gravity of 1.0.
2. Vacuum ratings based on inlet air at standard temperature of 68° F, and specific gravity of 1.0.

OUTLINE DRAWING & DIMENSIONAL TABLE: ROOTS Universal URAI-J



FRAME	A	A'	B	C	D	D1	D2	M	O	O'	P	P'	R	U	INLET DISCH.	AX	WGT
33UJ	7.25	7.25	7.63	12.13	5.00	8.50	5.00	6.25	12.81	10.00	10.00	12.13	6.75	.750	2.0 NPT	1.75	84
36UJ	7.25	7.25	10.00	14.63	5.00	8.50	5.00	7.56	12.81	10.50	11.00	12.13	6.75	.750	2.5 NPT	1.75	112
45UJ	8.00	8.00	10.00	15.50	6.25	10.25	6.25	8.00	15.06	12.25	12.00	13.63	8.25	.875	2.5 NPT	2.00	119
47UJ	8.00	8.00	11.75	17.63	6.25	10.25	6.25	9.25	15.06	12.25	12.00	13.63	8.25	.875	3.0 NPT	2.00	138
56UJ	10.50	10.50	11.00	17.50	6.25	11.25	6.75	9.19	17.38	14.00	14.00	17.25	8.75	1.125	4.0 NPT	2.50	190

DESIGN AND CONSTRUCTION FEATURES

1. Detachable steel mounting feet
2. Rigid one-piece cast iron casing
3. Anti-friction bearings
4. Splash oil lubricated spur timing gears
5. Connections in standard pipe sizes
6. Ground steel shafts
7. Straight, precision machined two-lobe impellers



Roots

S-33A93
September 2003

Dresser ROOTS

2135 Hwy 6 South
Houston, TX 77077
Ph: 281-966-4700
Fx: 281-966-4309
Toll Free (US): 877-363-ROOT(S)

Dresser ROOTS

Connersville
900 West Mount Street
Connersville, IN 47331
Ph: 765-827-9200
Fx: 765-827-9266

Dresser ROOTS

Holmes Operation
PO Box B7
Off St. Andrews Rd
Turnbridge, Huddersfield
England HD1 6RB
Ph: +44-1484-422222
Fx: +44-1484-422668

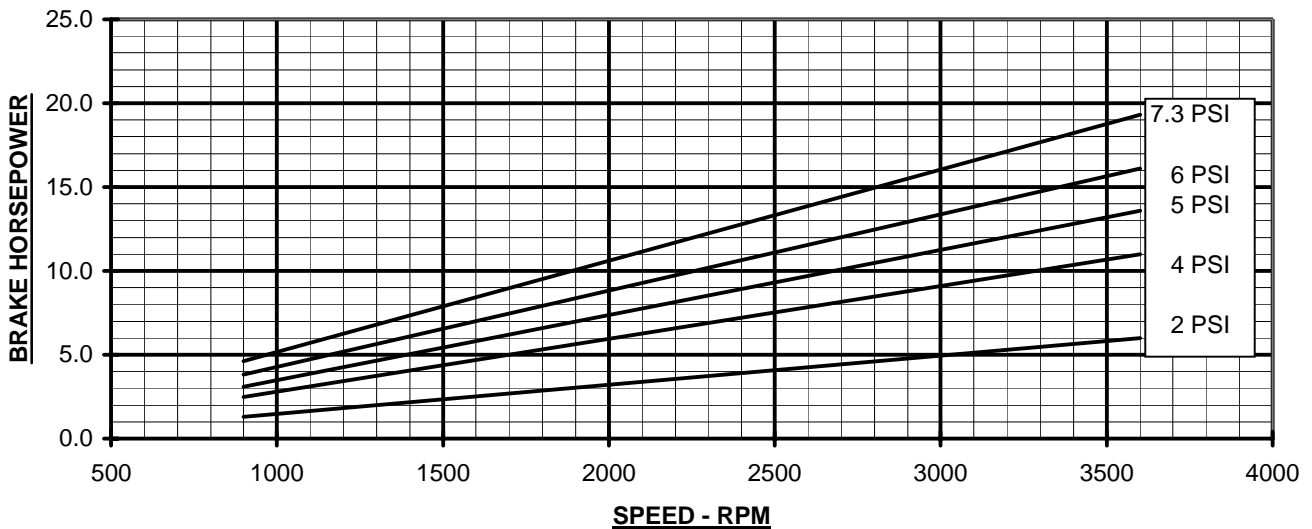
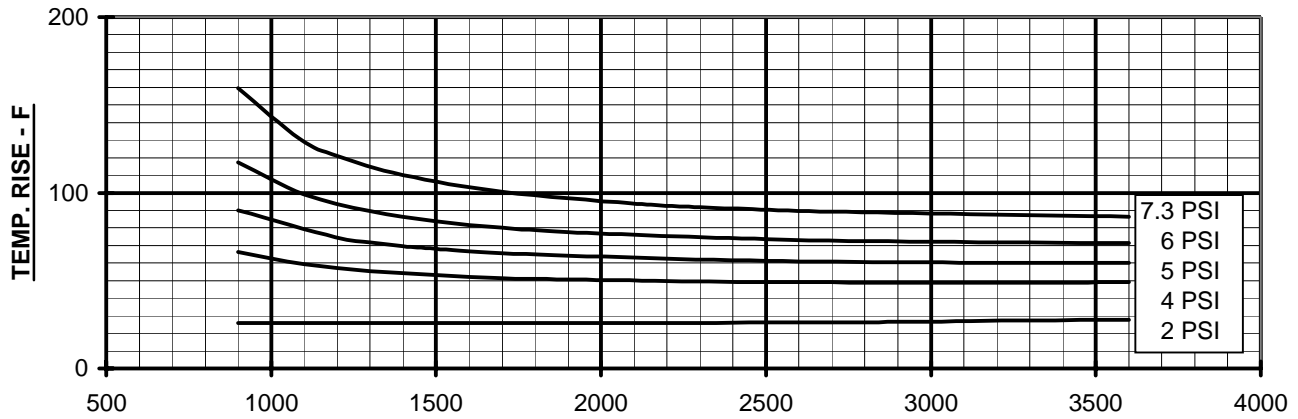
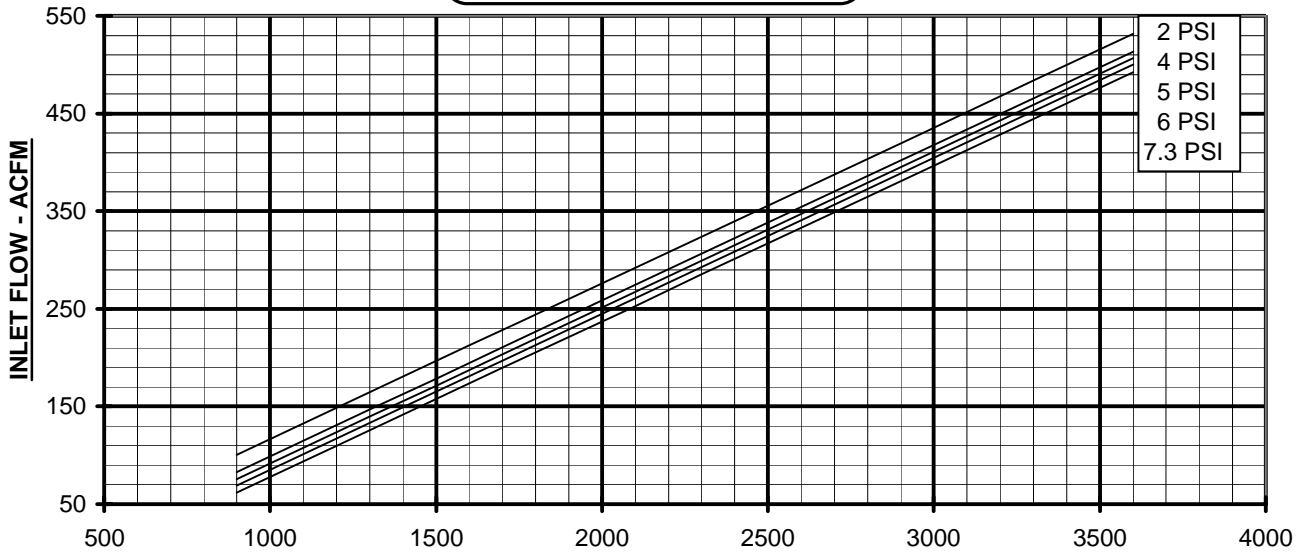
website: www.rootsblower.com ♦ email: ROOTS@dresser.com

Copyright 2003 Dresser, Inc. All rights reserved.
Dresser Design and Universal RAI-J® are registered trademarks of Dresser, Inc.
ROOTS™ and WHISP AIR™ are trademarks of Dresser, Inc.
All information subject to change without notice.



PERFORMANCE BASED ON AIR,
 INLET AT 14.7 PSIA & 68°F
 DECEMBER 2004

PRESSURE PERFORMANCE
FRAME 47 U-RAI
 MAX. PRESSURE RISE = 7.3 PSI
 MAX. SPEED = 3600 RPM





VACUUM PERFORMANCE
FRAME 47 U-RAI
 MAX. VACUUM = 15" HG
 MAX. SPEED = 3600 RPM

PERFORMANCE BASED ON AIR,
 INLET AT 68°F
 DISCHARGE PRESSURE = 30" HG ABS.
 DECEMBER 2004

