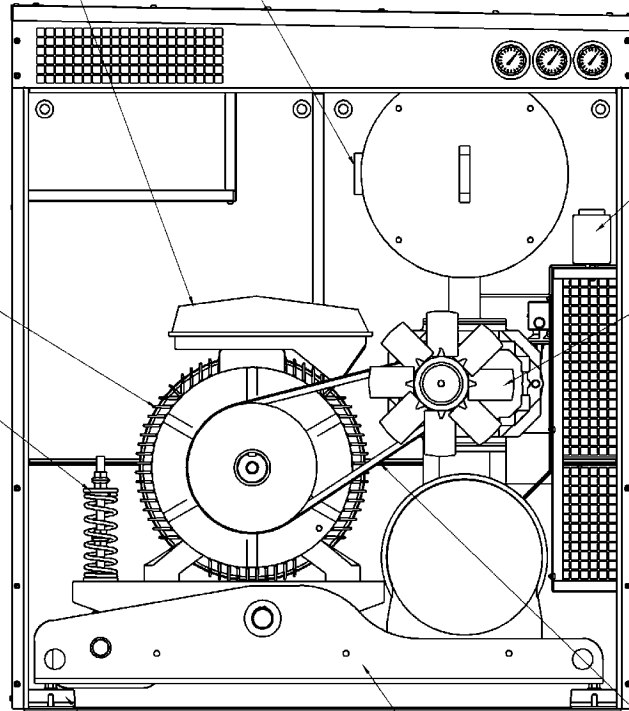


VACUUM RELIEF VALVE CONNECTION
FOR VACUUM APPLICATIONS
NOT AVAILABLE ON PRESSURE APPLICATIONS

THE CONDUIT BOX MAY BE
LOCATED ON THE LEFT SIDE
IF A NEMA MOTOR IS SUPPLIED
(IEC MOTOR SHOWN)

ELECTRIC MOTOR

SELF TENSION DEVICE



ISOLATION
PADS 4 PLACES

BASE PLATE

INLET FILTER SILENCER
WITH REMOVABLE ELEMENT

OIL FILL
NOT A RESERVOIR

MECHANICAL
OPERATED
EXHAUST FAN

OIL DRAIN PLUG

V-BELT DRIVE
SEE K#26930
FOR DRIVE LIMITS

DISCHARGE SILENCER

OPTIONAL CONTROL SWITCHES
(TEMPERATURE)
(PRESSURE)
(VACUUM)

OUTSIDE AIR CONNECTION OPTIONAL
REQUIRED FOR VACUUM APPLICATIONS

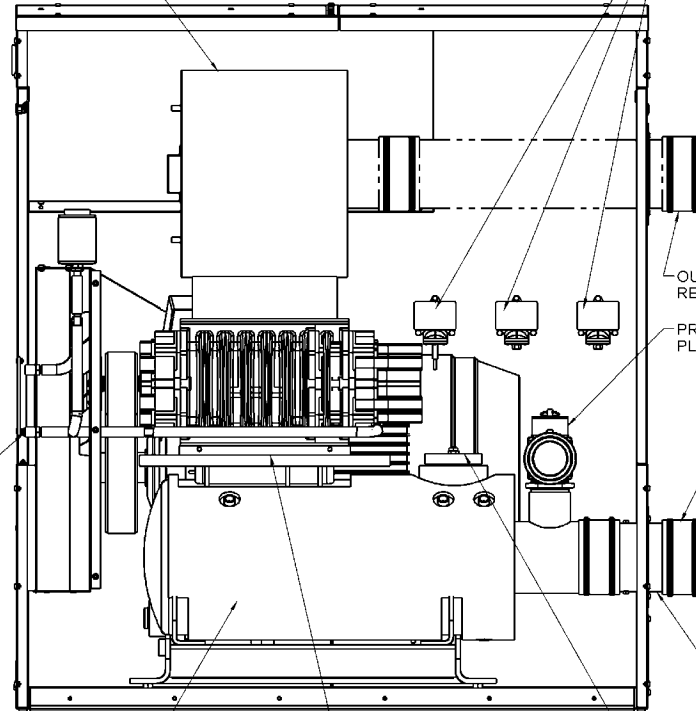
PRESSURE RELIEF VALVE
PLUGGED FOR VACUUM APPLICATIONS

DISCHARGE CONNECTION

CHECK VALVE

OPTIONAL OIL PAN

UNLOADING VALVE OPTIONAL
PLUGGED FOR VACUUM APPLICATIONS



CERTIFIED CORRECT FOR	SEE SHEET ONE FOR REV					V-BELT DRIVE DATA
CUSTOMER ORDER No. _____						BELTS
ROOTS ORDER No. _____						DRIVE SHEAVE
DATE _____						DRIVEN SHEAVE
	REVISIONS	BY	CHANGE NOTICE	CHKD.	APP.	CENTER DISTANCE

DIMENSIONAL ASSEMBLY

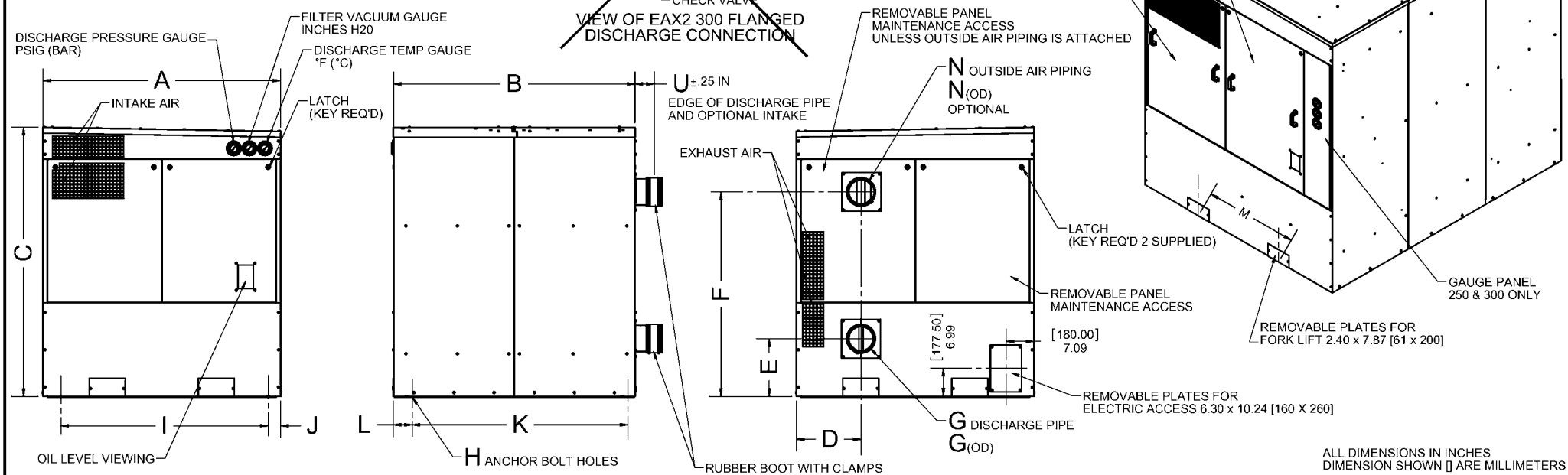
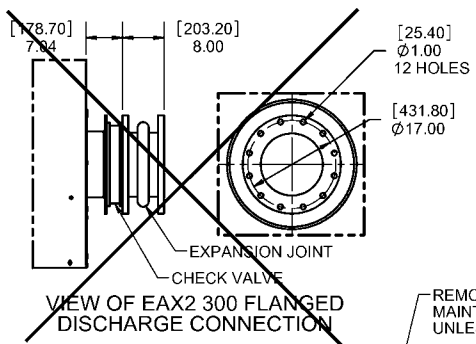
EAX2 50-300
SHEET 2 OF 3



Dresser Roots, Dresser, Inc.
Connersville, IN USA

RDR				92522021	REV. C
DR	CHKD	APP			

MODEL	G	G(OD)	N	N(OD)
EAX2 50	2.00 [50]	2.38 [60.3]	3.00 [76.2]	3.50 [88.9]
EAX2 65	2.50 [65]	2.88 [73]	3.00 [76.2]	3.50 [88.9]
EAX2 100	4.00 [100]	4.50 [114]	4.00 [100]	4.50 [114]
EAX2 150	6.00 [150]	6.60 [168]	6.00 [150]	6.60 [168]
EAX2 200	8.00 [200]	8.63 [219]	8.00 [200]	8.63 [219]
EAX2 250	10.00 [250]	10.75 [273]	12.00 [300]	12.75 [323.9]
EAX2 300	12.00 [300]	12" 150# FLG	12.00 [300]	12.75 [323.9]



ALL DIMENSIONS IN INCHES
DIMENSION SHOWN [] ARE MILLIMETERS

MODEL	A	B	C	D	E	F	H	I	J	K	L	M	U	BLOWER SIZE	APPROX WEIGHT EXCLUDING MOTOR
EAX2 50	43.31 [1100]	39.36 [1000]	46.25 [1175]	10.88 [276.5]	7.66 [194.5]	33.53 [851.7]	0.78 [20]	37.03 [940.5]	3.14 [79.75]	32.83 [834]	3.27 [83]	23.62 [600]	3.00 [75]	URAI 22, 32, 33, 42	450-525 LBS
EAX2 65	43.31 [1100]	39.36 [1000]	46.25 [1175]	10.88 [276.5]	7.66 [194.5]	33.53 [851.7]	0.78 [20]	37.03 [940.5]	3.14 [79.75]	32.83 [834]	3.27 [83]	23.62 [600]	3.00 [75]	URAI 36, 45, 53	600-650 LBS
EAX2 100	49.21 [1250]	47.24 [1200]	59.05 [1500]	10.45 [265.5]	9.23 [234.5]	46.54 [1182]	0.78 [20]	42.93 [1090.5]	3.14 [79.75]	40.71 [1034]	3.27 [83]	23.62 [600]	3.46 [88]	URAI 47, 56, 59 RAM 404, 406, 409	900-1125 LBS
EAX2 150	60.03 [1525]	61.02 [1550]	67.91 [1725]	16.30 [414]	14.60 [371]	51.65 [1312]	0.78 [20]	53.76 [1365.5]	3.14 [79.75]	54.48 [1384]	3.27 [83]	27.55 [700]	4.84 [123]	RAM X 155, 225, 280	1650-1775 LBS
EAX2 200	66.93 [1700]	70.87 [1800]	80.70 [2050]	19.72 [500.9]	17.96 [456.3]	59.80 [1519]	0.78 [20]	60.65 [1540.5]	3.14 [79.75]	64.33 [1634]	3.27 [83]	33.46 [850]	7.25 [185]	RAM X 400, 500	2425-2550 LBS
EAX2 250	76.77 [1950]	90.55 [2300]	91.53 [2325]	24.25 [641.5]	16.98 [431.4]	69.50 [1765.2]	0.78 [20]	68.77 [1747]	3.99 [101.5]	84.17 [2138]	3.19 [81]	35.83 [910]	10.25 [260]	RAM X 600, 770	3650-3900 LBS
EAX2 300	83.66 [2125]	102.36 [2600]	97.44 [2475]	27.85 [707.5]	19.93 [506.4]	77.17 [1960.1]	0.78 [20]	75.67 [1922]	3.99 [101.5]	95.98 [2438]	3.19 [81]	35.83 [910]	SEE FLG VIEW	RAM X 800, 1000	4950-5450 LBS

CERTIFIED CORRECT FOR	G	UPDATED DIN (D,F,U) & (EAX2 50)	RDR	10495V			V-BELT DRIVE DATA
CUSTOMER ORDER No.	F	UPDATED DIN (C) & (N 300 ONLY)	RDR	10281V			BELTS
ROOTS ORDER No.	E	UPDATED HOOD DIM FOR 250 & 300	RDR	10136V			DRIVE SHEAVE
DATE	D	ADDED (U) & BLOWER SIZE	RDR				DRIVEN SHEAVE
		REVISIONS	BY	CHANGE NOTICE	CHKD	APP	CENTER DISTANCE

DIMENSIONAL ASSEMBLY

EAX2 50-300
SHEET 1 OF 3



Dresser Roots, Dresser, Inc.
Connersville, IN USA

RDR				92522021	REV. G
DR	CHKD	APP			