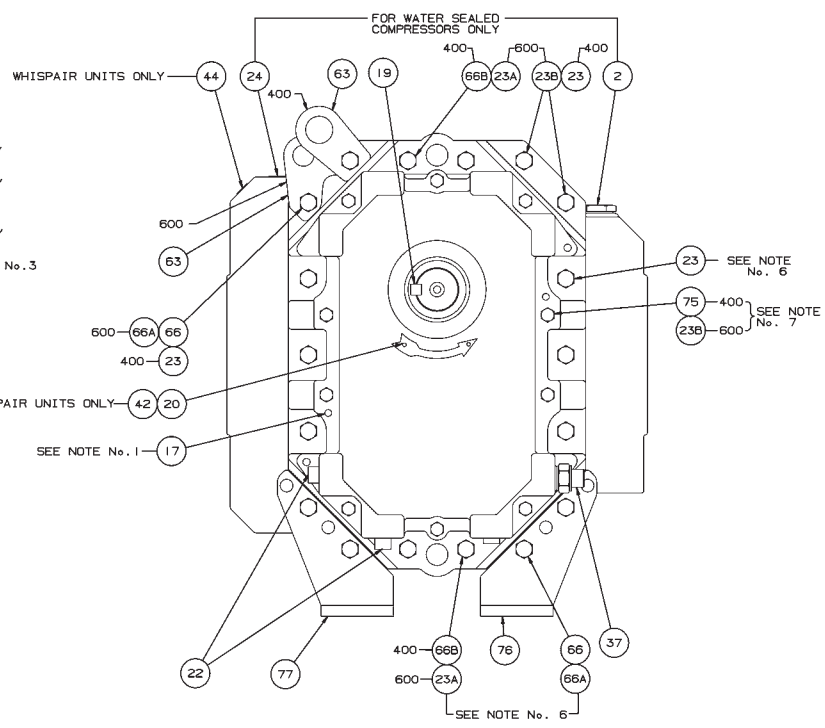
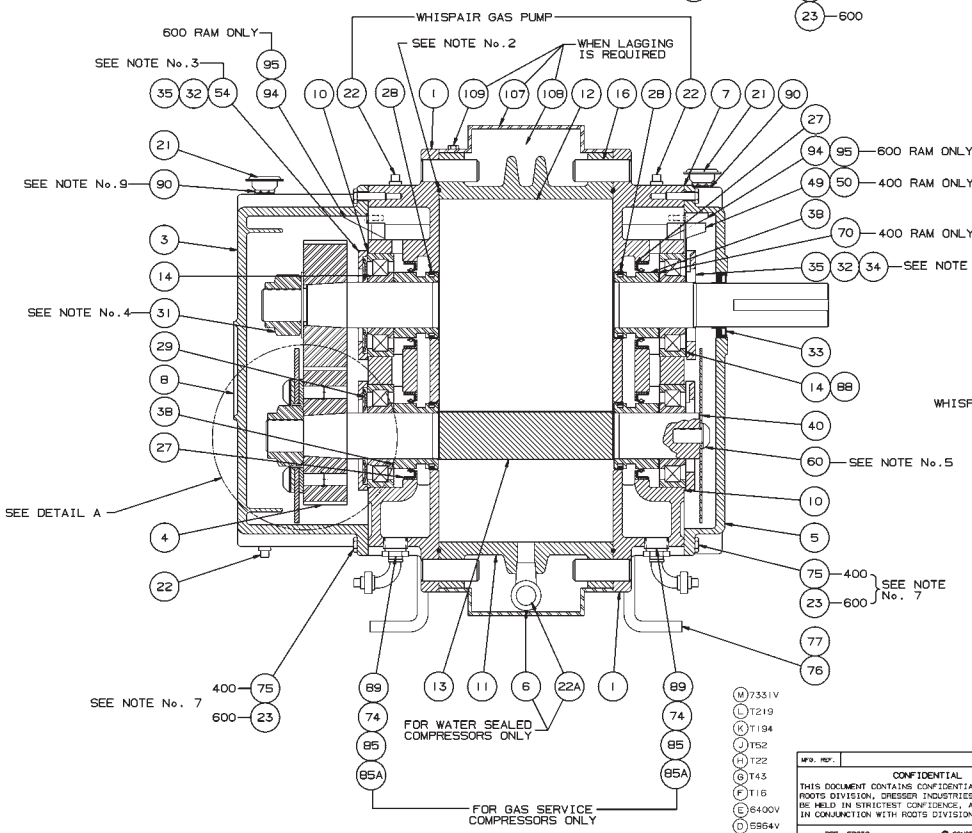
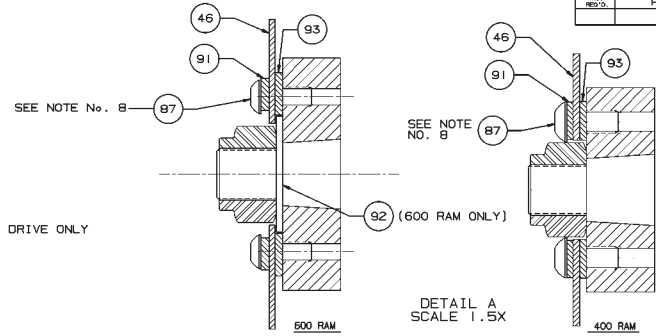
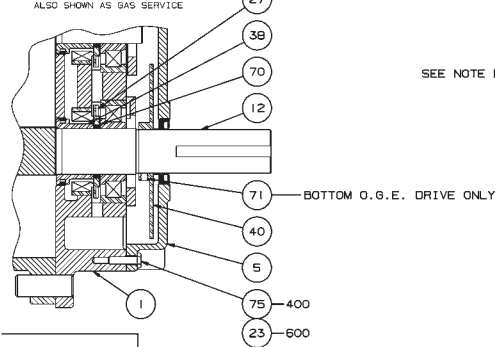


NOTES:

1. DRIVE END COVER TO BE PINNED TO HEADPLATE AFTER ALIGNING SEAL BORE WITH SHAFT WITHIN .001
2. USE TEFLON SEALANT ON ALL PIPE THREADS & CYLINDER TO HEADPLATE FLANGE FOR WHISPAIR GAS PUMP UNITS ONLY.
3. ITEMS 34 & 54 MUST BE INSTALLED WITH OIL GROOVE AT TOP.
4. TORQUE TO 400 FT.LBS. -400  
TORQUE TO 630 FT.LBS. -600
5. TORQUE TO 75 FT.LBS. -400  
TORQUE TO 140 FT.LBS. -600  
APPLY LOCKTITE TO SCREW THREADS & BOTH FACES OF WASHER & SLINGER.
6. TORQUE TO 35 FT.LBS. (HEADPLATE)
7. TORQUE TO 10 FT.LBS. (GEARBOX/END COVER)
8. LOCKTIGHT AND TORQUE TO FT.LBS. -75
9. TWO 1/2 X 3/4 BUSHINGS FOR BREATHERS ON 600 RAM SERIES ONLY

**BOTTOM DRIVE OPTION**  
ALSO SHOWN AS GAS SERVICE



- (M) 7331V
- (L) T219
- (K) T194
- (J) T52
- (H) T22
- (G) T15
- (F) T16
- (E) 6400V
- (D) 5964V
- (C) 5757V
- (B) 5560V
- (A) 5048V

REV.	DATE	BY	CHKD.	APP.	DESCRIPTION
S	7/18/67	DAB	B203V		DR. NER 1/10/66
R	1-26-68	AMP	7654V		DRG. BMS 1/10/66
G	9-1-68	AMP	7591V	RCA	APP. RDA 1/12/66
B	1-15-69	AMP	7430V	RDA	
D	3-6/69	RGR	7412V	RDA	
N	2-2/69	YC	7331V	RDA	

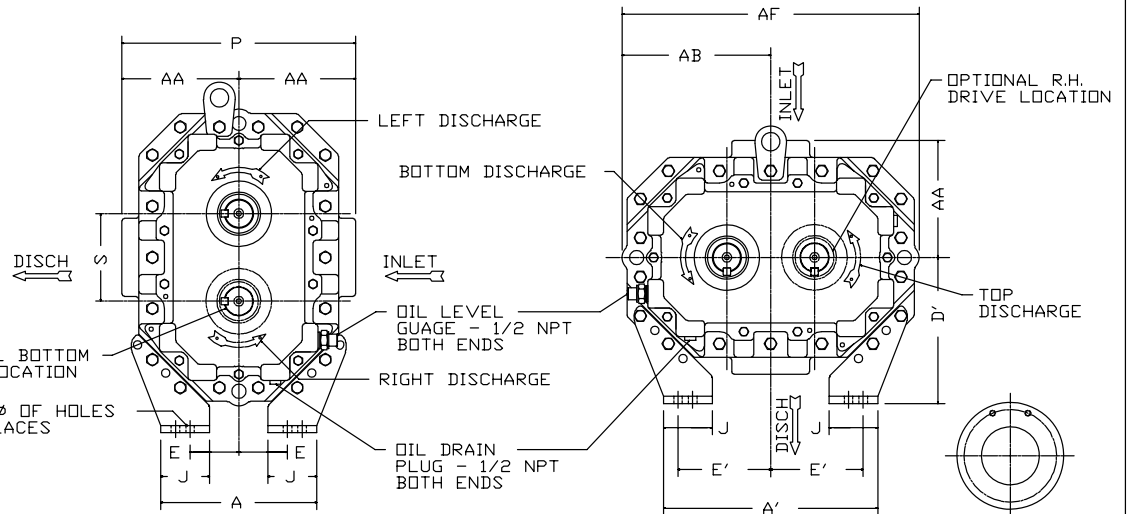
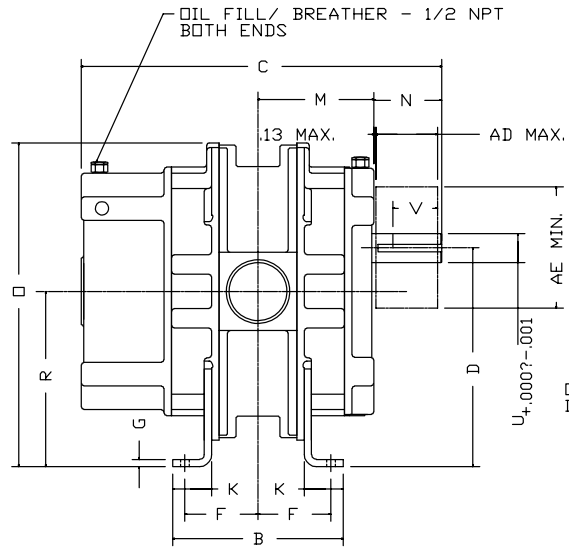
RAM/RAM-J/RAM-GJ/RAM-VJ  
400/600 RAM

SECTIONAL ASSEMBLY

81881023

REV S

Assembly of RAM Series - Air & Gas Blowers



W - INLET  
 W' - DISCHARGE  
 AD - MAXIMUM SHEAVE WIDTH  
 (SEE OVERHUNG LOAD LIMIT K-24102)  
 AE - MINIMUM SHEAVE DIAMETER  
 (SEE OVERHUNG LOAD LIMIT K-24102)  
 ALL DIMENSIONS IN INCHES

INLET & DISCHARGE FLANGES TO  
 MATE FLUSH & SQUARE WITH  
 FLAT FACE FLANGE ONLY.  
 USE FULL FACE GASKETS.  
 V-BELT DRIVEN UNITS: MOTOR  
 TO BE LOCATED ON INLET SIDE  
 OF BLOWER.

A 5048V B 5048V C 5560V D 5767V  
 E 5986V F 6006V

FLG	5"	6"	8"	10"
OPENING	5"	6"	8"	10"
BOLT CIRCLE	8.50	9.50	11.75	14.25
FLANGE O.D.	10.00	11.00	13.50	16.00
No TAPPED HOLES	8	8	8	12
SIZE HOLES	3/4-10	3/4-10	3/4-10	7/8-9
TAP DEPTH	1.13	1.13	1.13	1.13

FRAME SIZE	A	A'	B	C	D	D'	E	E'	F	G	H	J	K	M	N	O	P	R	S	U	V	KEYWAY	W	W'	AA	AB	AD	AE	AF	APPROX WEIGHT
404	8.00	11.00	8.75	18.50	11.25	7.50	2.50	4.75	3.75	.38	.44	2.50	2.00	5.95	3.48	16.63	12.00	9.00	4.50	1.50	2.75	.375X.188	3"NPT	3"NPT	6.00	7.63	3.06	7.10	15.25	230
406	"	"	10.75	20.50	"	"	"	"	4.75	"	"	"	"	6.95	"	"	"	"	"	"	"	"	4"NPT	4"NPT	"	"	"	"	"	260
409	"	"	13.75	23.50	"	"	"	"	6.25	"	"	"	"	8.45	"	"	11.00	"	"	"	"	"	"	"	5.50	"	"	"	"	300
412	"	"	16.75	26.50	"	"	"	"	7.75	"	"	"	"	9.95	"	"	"	"	"	"	"	"	6"FLG	6"FLG	"	"	"	"	"	360
418	"	"	22.75	32.50	"	"	"	"	10.75	"	"	"	"	12.95	"	"	"	"	"	"	"	"	8"FLG	8"FLG	"	"	"	"	"	440
616	9.00	15.00	20.75	32.19	15.00	9.00	3.50	6.50	9.75	.38	.56	2.50	2.00	12.41	4.30	22.00	14.50	12.00	6.00	2.00	3.63	.500x.250	8"FLG	8"FLG	7.25	10.00	4.44	8.50	20.00	650
624	"	"	28.75	40.19	"	"	"	"	13.75	"	"	"	"	16.41	"	"	"	"	"	"	"	"	10"FLG	10"FLG	"	"	"	"	"	775

CERTIFIED CORRECT FOR  
 CUSTOMER ORDER No. \_\_\_\_\_  
 ROOTS ORDER No. \_\_\_\_\_  
 DATE \_\_\_\_\_

REVISIONS	BY	CHANGE NOTICE	CHKD.	APP.	CENTER DISTANCE
K		REMOVED AA'			
J		REV. DIM "H" ON 600			
H		REV. DIM "AF" ON 600			
G		REV. DIM "M" ON 624			

V-BELT DRIVE DATA  
**400/600 SERIES**  
**RAM**  
 (NON-WHISPAIR) RAM

<b>DRESSER ROOTS</b>			ROOTS DIVISION DRESSER EQUIPMENT GROUP A HALLIBURTON COMPANY CONNERSVILLE, IN USA	
RDR	BMS	RDA	78390021	REV. K
DR	CHKD	APP		

PRINTED IN U.S.A.

78390A21 XXAD