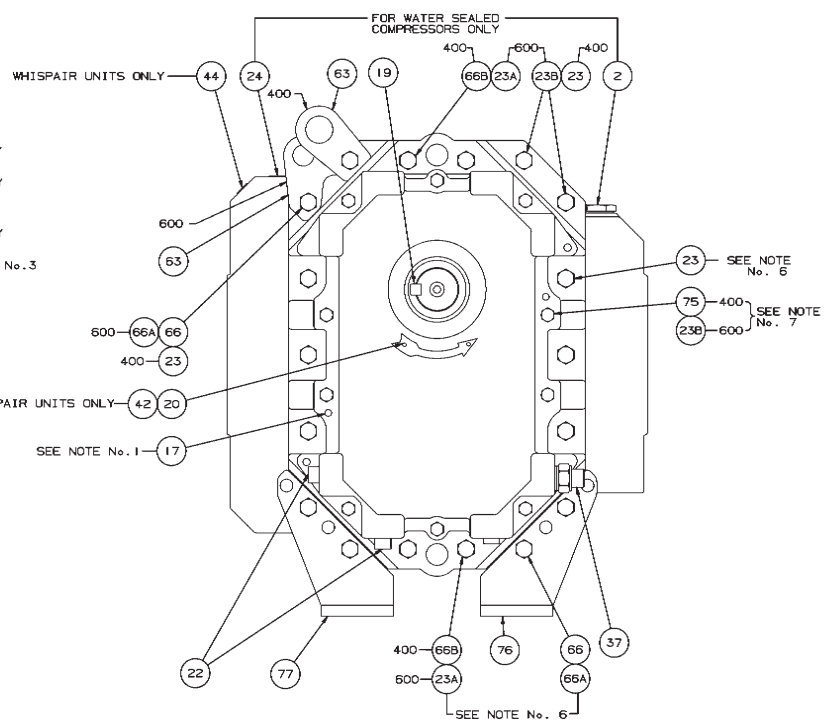
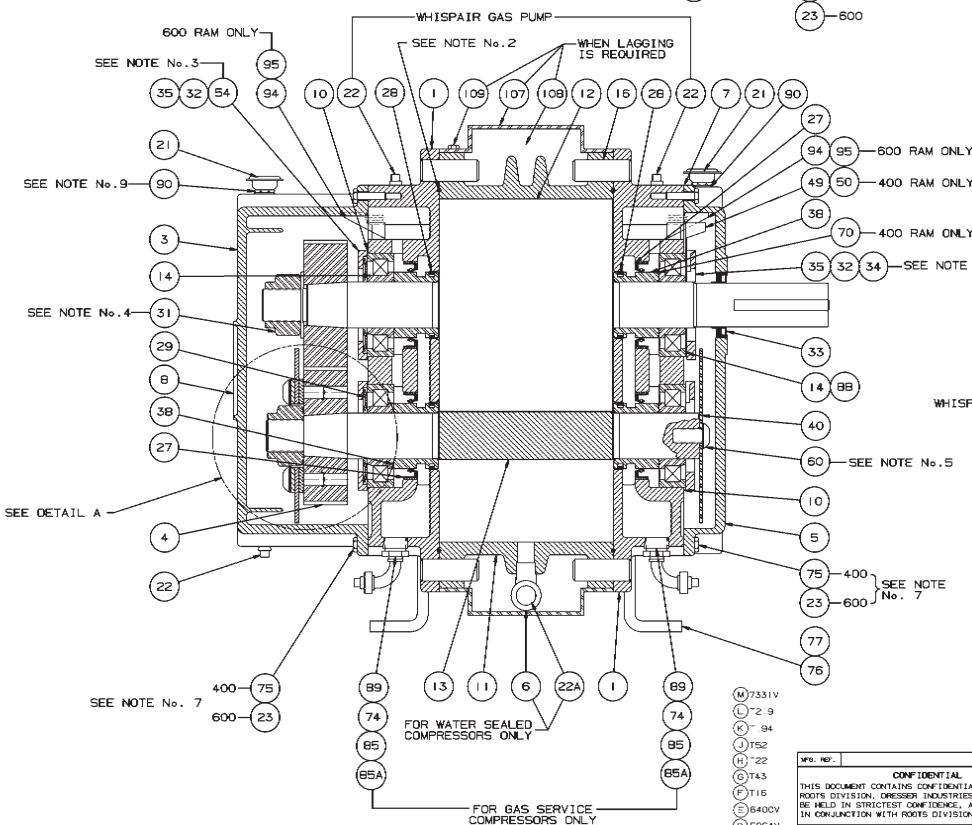
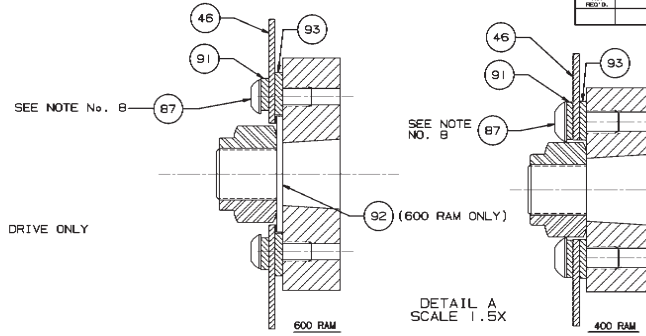
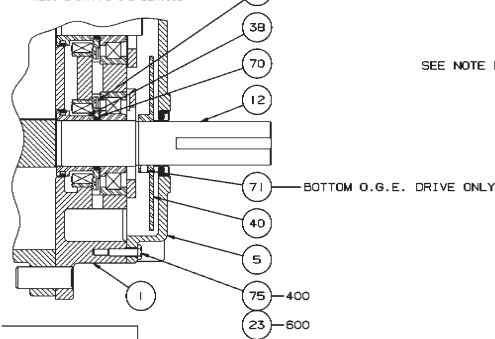


NOTES:

1. DRIVE END COVER TO BE PINNED TO HEADPLATE AFTER ALIGNING SEAL BORE WITH SHAFT WITHIN .001
2. USE TEFLON SEALANT ON ALL PIPE THREADS & CYLINDER TO HEADPLATE FLANGE FOR WHISPAIR GAS PUMP UNITS ONLY.
3. ITEMS 34 & 54 MUST BE INSTALLED WITH OIL GROOVE AT TOP.
4. TORQUE TO 400 FT.LBS. -400
TORQUE TO 630 FT.LBS. -600
5. TORQUE TO 75 FT.LBS. -400
TORQUE TO 140 FT.LBS. -600
APPLY LOCKTITE TO SCREW THREADS & BOTH FACES OF WASHER & SLINGER.
6. TORQUE TO 35 FT.LBS. (HEADPLATE)
7. TORQUE TO 10 FT.LBS. (GEARBOX/END COVER)
8. LOCKTIGHT AND TORQUE TO FT.LBS. -75
9. TWO 1/2 X 3/4 BUSHINGS FOR BREATHERS ON 600 RAM SERIES ONLY

BOTTOM DRIVE OPTION
ALSO SHOWN AS GAS SERVICE



- (M) 7331V
- (L) 2-9
- (K) 94
- (J) T52
- (H) 22
- (G) T43
- (F) T16
- (E) 6400V
- (D) 5964V
- (C) 5767V
- (B) 5950V
- (A) 5C48V

REV.	DATE	BY	CHKD.	APP.	DATE	REV.	DATE	BY	CHKD.	APP.
5	1/28/98	DAB	TH/ECT		1/28/98	6	1/28/98			
4	1/28/98	AMP			1/28/98	7	1/28/98			
3	1/28/98	AMP			1/28/98	8	1/28/98			
2	1/28/98	AMP			1/28/98	9	1/28/98			
1	1/28/98	AMP			1/28/98	10	1/28/98			

Assembly of RAM Series - Air & Gas Blowers

