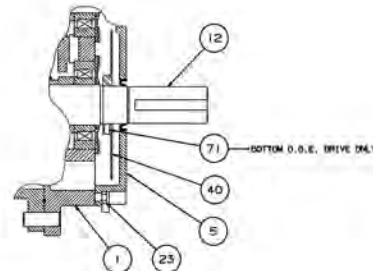


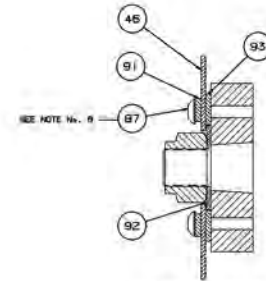
10	11
REV.	PART NAME
REV. NO.	REV. NO.

**NOTES:**

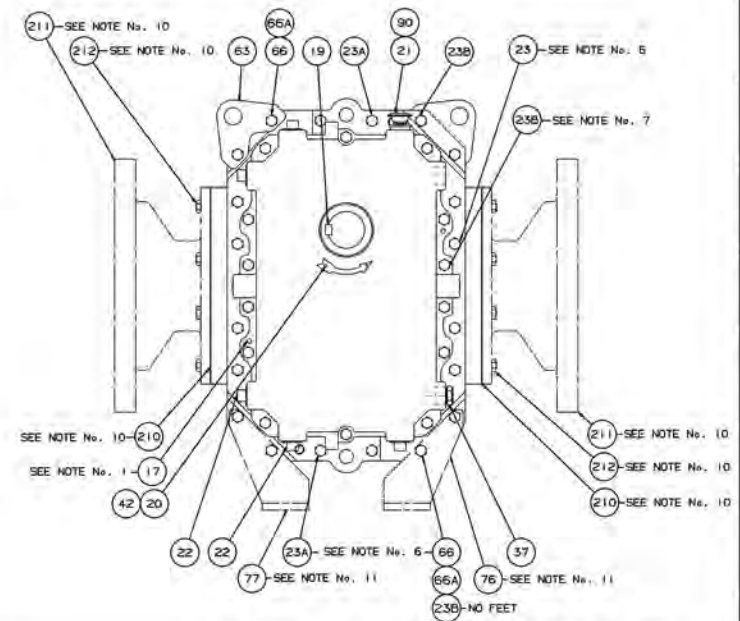
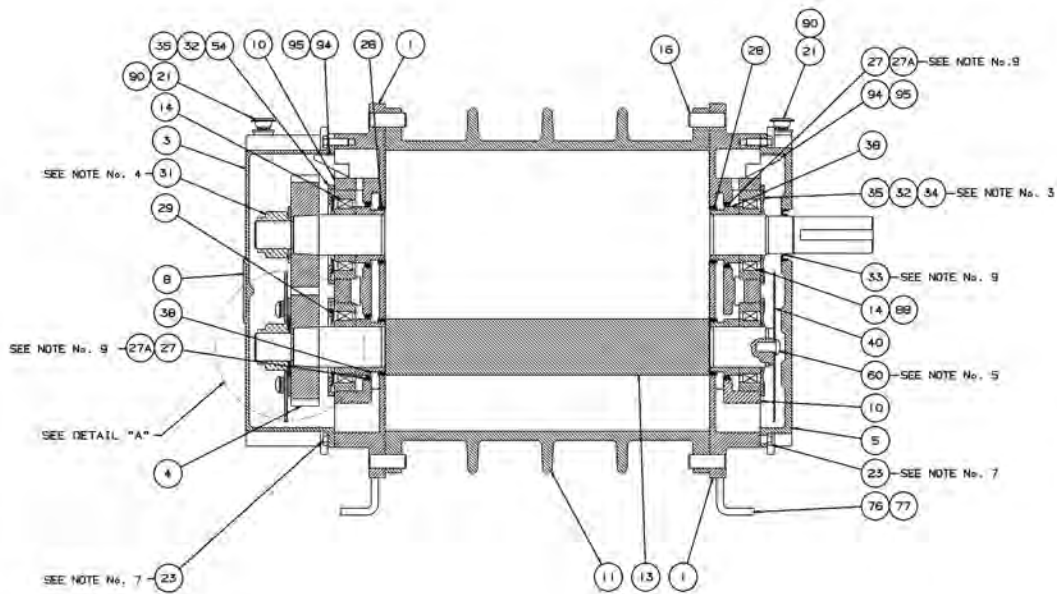
1. DRIVE END COVER TO BE PINNED TO HEADPLATE AFTER ALIGNING SEAL BORE WITH SHAFT WITHIN .001 (.025 MM)
2. USE TEFLON SEALANT ON ALL PIPE THREADS.
3. ITEMS 34 & 54 MUST BE INSTALLED WITH OIL GROOVE AT TOP
4. TORQUE TO 630 FT.LBS. (87 KG.M)
5. TORQUE TO 140 FT.LBS. (19 KG.M) APPLY LOCTITE TO SCREW THREADS & BOTH FACES OF WASHER & SLINGER.
6. TORQUE TO 35 FT.LBS. (4.8 KG.M) (HEADPLATE)
7. TORQUE TO 10 FT.LBS. (1.36 KG.M) (GEARBOX / END COVER)
8. LOCKTITE AND TORQUE TO 75 FT.LBS. (10.2 KG.M)
9. INSTALL PER ROTATION
10. OPTIONAL INLET / DISCHARGE ADAPTERS.
11. OPTIONAL FEET



BOTTOM DRIVE OPTION

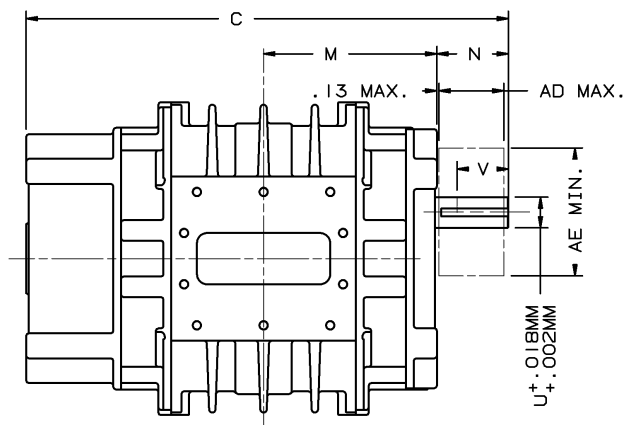


DETAIL "A"  
SCALE: 1.5X

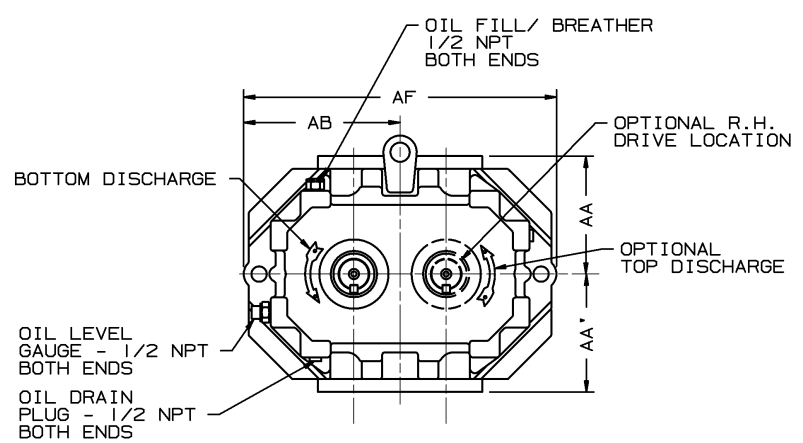


<p><b>CONFIDENTIAL</b></p> <p>THIS DOCUMENT CONTAINS CONFIDENTIAL INFORMATION OF ROOTS DIVISION, Dresser Industries, Inc. IT SHALL BE HELD IN STRICTEST CONFIDENCE, AND BE USED ONLY IN CONNECTION WITH ROOTS DIVISION BUSINESS.</p>		<p>REV. 02 1/03/00</p> <p>REV. 01 1/02/00</p> <p>REV. 00 1/01/00</p>	
<p>ITEM 212 WAG ITEM 132</p> <p>ASSEMBLED OPTIONAL FEET &amp; ADAPTERS</p> <p>VERY DRIVE OPTION SLINGER REVERSED</p>		<p>DATE 6/17/00</p> <p>DATE 7/25/00</p> <p>DATE 6/20/00</p>	
<p>REV. 02 1/03/00</p> <p>REV. 01 1/02/00</p> <p>REV. 00 1/01/00</p>		<p>DATE 6/17/00</p> <p>DATE 7/25/00</p> <p>DATE 6/20/00</p>	
<p>REV. 02 1/03/00</p> <p>REV. 01 1/02/00</p> <p>REV. 00 1/01/00</p>		<p>DATE 6/17/00</p> <p>DATE 7/25/00</p> <p>DATE 6/20/00</p>	

**Assembly of RAM X™ Tri-Lobe Blowers Models 400 & 500**



VIEW OF DISCHARGE



INLET & DISCHARGE FLANGES TO MATE FLUSH & SQUARE WITH FLAT FACE FLANGE ONLY. USE FULL FACE GASKETS.

V-BELT DRIVEN UNITS: MOTOR TO BE LOCATED ON INLET SIDE OF HORIZONTAL FLOW UNITS & ON DRIVE SHAFT SIDE OF VERTICAL FLOW UNITS.

AD - MAXIMUM SHEAVE WIDTH (SEE OVERHUNG LOAD LIMIT K-24102)

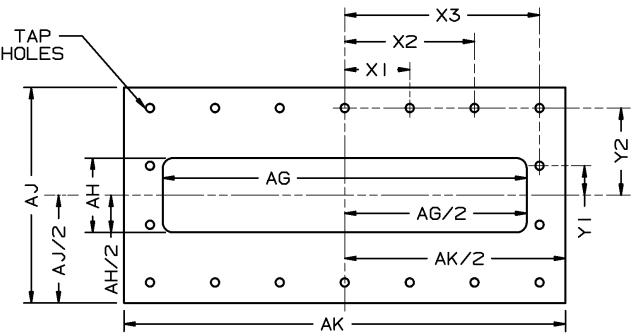
AE - MINIMUM SHEAVE DIAMETER (SEE OVERHUNG LOAD LIMIT K-24102)

ALL DIMENSIONS IN INCHES UNLESS OTHERWISE SPECIFIED METRIC DIMENSIONAL #9074-7021

		DRIVE LOCATION	
		LH	RH
DISCH. LOCATION	TOP	CW	CCW
	BOTTOM	CCW	CW

UNIT IS BUILT TO CUSTOMERS SPECIFIED ORIENTATION

"W" SIZE OF TAP  
"Z" No. OF HOLES



MODEL	C	M	N	U MM	V MM	KEYWAY MM	INLET DISCH AAAA'	AB	AD	AE	AF	AG	AH	AJ	AK	APPROX WEIGHT
155	23.50	8.44	3.50	35.0	63.5	10.0x5.0	5.75 5.75	7.63	3.06	7.10	15.25	6.50	4.00	8.00	9.02	300 LBS
225	27.50	10.44	"	"	"	"	"	"	"	"	"	10.50	"	"	13.02	360 LBS
280	30.75	12.06	"	"	"	"	"	"	"	"	"	13.75	"	"	16.27	420 LBS
400	33.56	13.08	4.33	50.0	76.2	14.0x5.5	7.25 7.25	10.00	4.44	8.50	20.00	13.75	5.50	10.50	17.36	730 LBS
500	37.73	15.17	"	"	"	"	"	"	"	"	"	17.75	"	"	21.53	850 LBS

MODEL	X1	X2	X3	Y1	Y2	W	Z
155	3.25		3.88	1.25	3.25	M12x1.75	10
225	2.63	5.25	5.88	1.25	3.25	M12x1.75	14
280	3.50	6.88	7.50	1.25	3.25	M12x1.75	14
400	3.75		7.50	1.44	4.25	M12x1.75	14
500	3.17	6.33	9.50	1.44	4.25	M12x1.75	18

CERTIFIED CORRECT FOR

CUSTOMER ORDER No. \_\_\_\_\_

ROOTS ORDER No. \_\_\_\_\_

DATE \_\_\_\_\_

B	MODELS 155, 225, & 280 "AH" WAS 2.75 MODELS 400 & 500 "AH" WAS 3.69	DAB	8202V													
A	REV. MODEL DESIGNATIONS, REMOVED V. UNITS "C" & "N" DIMS CORRECTED	RDR	800IV													
	REVISIONS	BY	CHANGE NOTICE	CHKD.	APP.											

V-BELT DRIVE DATA

BELTS \_\_\_\_\_

DRIVE SHEAVE \_\_\_\_\_

DRIVEN SHEAVE \_\_\_\_\_

CENTER DISTANCE \_\_\_\_\_

RAM X<sup>TM</sup>  
TRI-LOBE BLOWERS  
MODELS 155 THRU 500

**DRESSER**   Dresser ROOTS, Dresser, Inc.  
Connersville, IN USA

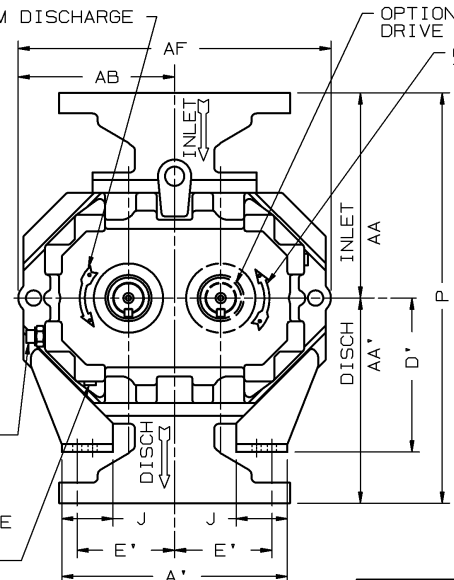
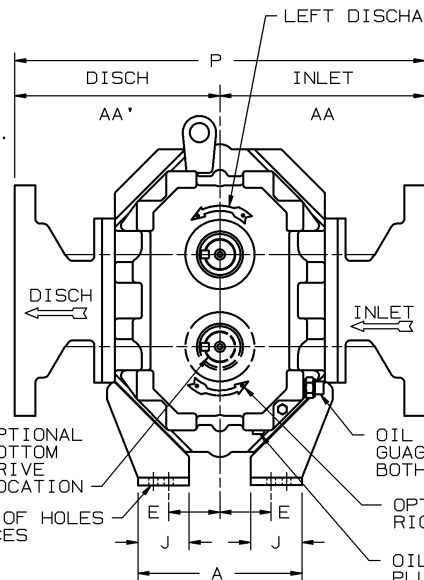
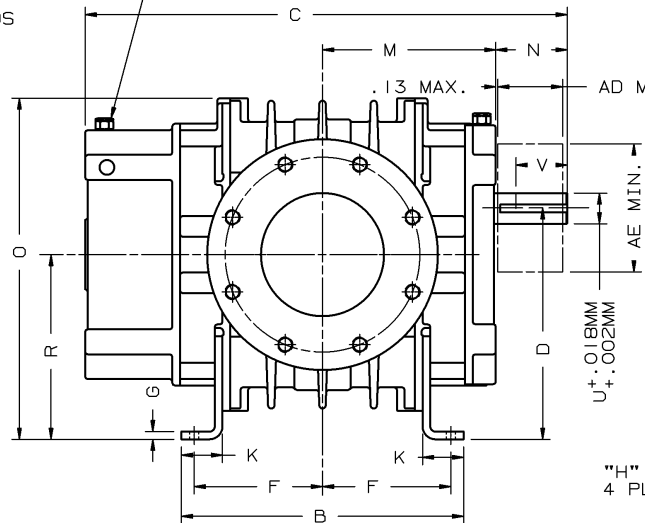
**Roots**

RDR							
DR	CHKD	APP					

90724021

REV. B

OIL FILL/ BREATHER  
1/2 NPT  
BOTH ENDS



INLET & DISCHARGE FLANGES TO MATE FLUSH & SQUARE WITH FLAT FACE FLANGE ONLY. USE FULL FACE GASKETS.

V-BELT DRIVEN UNITS: MOTOR TO BE LOCATED ON INLET SIDE OF BLOWER.

AD - MAXIMUM SHEAVE WIDTH (SEE OVERHUNG LOAD LIMIT K-24102)

AE - MINIMUM SHEAVE DIAMETER (SEE OVERHUNG LOAD LIMIT K-24102)

ALL DIMENSIONS IN INCHES UNLESS OTHERWISE SPECIFIED METRIC DIMENSIONAL #90780021

ANSI FLANGE DIMENSIONS						
	FA	FB	FC	FD	FE	FG
6 FLG	6.00	9.50	11.25	8	.75-10	1.00
8 FLG	8.00	11.75	13.50	8	.75-10	1.13
10 FLG	10.00	14.25	16.00	12	.88-9	1.19

FA - FLANGE OPENING  
FB - FLANGE BOLT CIRCLE  
FC - FLANGE O.D.  
FD - No. TAPPED HOLES  
FE - SIZE OF TAPPED HOLES  
FG - DEPTH OF TAP

DRIVE LOCATION		
DISCH. LOCATION	DRIVE LOCATION	
	LH	RH
TOP	CW	CCW
BOTTOM	CCW	CW

UNIT IS BUILT TO CUSTOMERS SPECIFIED ORIENTATION

MODEL	A	A'	B	C	D	D'	E	E'	F	G	H	J	K	M	N	O	P	R	U MM	V MM	KEYWAY MM	INLET AA	DISCH AA'	AB	AD	AE	AF	FLANGE SIZE	APPROX WEIGHT
155	8.00	11.00	13.77	23.50	11.25	7.50	2.50	4.75	6.26	.38	.44	2.50	2.00	8.44	3.50	16.63	20.00	9.00	35.0	63.5	10.0X5.0	10.00	10.00	7.63	3.06	7.10	15.25	6"	356 LBS
225	"	"	17.78	27.50	"	"	"	8.26	"	"	"	"	"	10.44	"	"	21.25	"	"	"	"	10.63	10.63	"	"	"	"	"	428 LBS
280	"	"	21.03	30.75	"	"	"	9.88	"	"	"	"	"	12.06	"	"	21.50	"	"	"	"	10.75	10.75	"	"	"	"	"	520 LBS
400	9.00	15.00	22.11	33.56	15.00	9.00	3.50	6.50	10.43	.38	.56	2.50	2.00	13.08	4.33	22.00	24.75	12.00	50.0	76.2	14.0X5.5	12.38	12.38	10.00	4.44	8.50	20.00	8"	836 LBS
500	"	"	27.73	37.73	"	"	"	12.52	"	"	"	"	"	15.17	"	"	25.88	"	"	"	"	12.94	12.94	"	"	"	"	10"	996 LBS

CERTIFIED CORRECT FOR CUSTOMER ORDER No. _____ ROOTS ORDER No. _____ DATE _____					V-BELT DRIVE DATA				<p style="text-align: center;">RAM X™ TRILOBE BLOWERS</p> <p style="text-align: center;">MODELS 155 THRU 500</p>						Dresser ROOTS, Dresser, Inc. Connersville, IN USA		<div style="border: 1px solid black; padding: 5px; display: inline-block;">90779021</div>	REV.
					BELTS										RDR	CHKD		
				DRIVE SHEAVE				CENTER DISTANCE				DR						