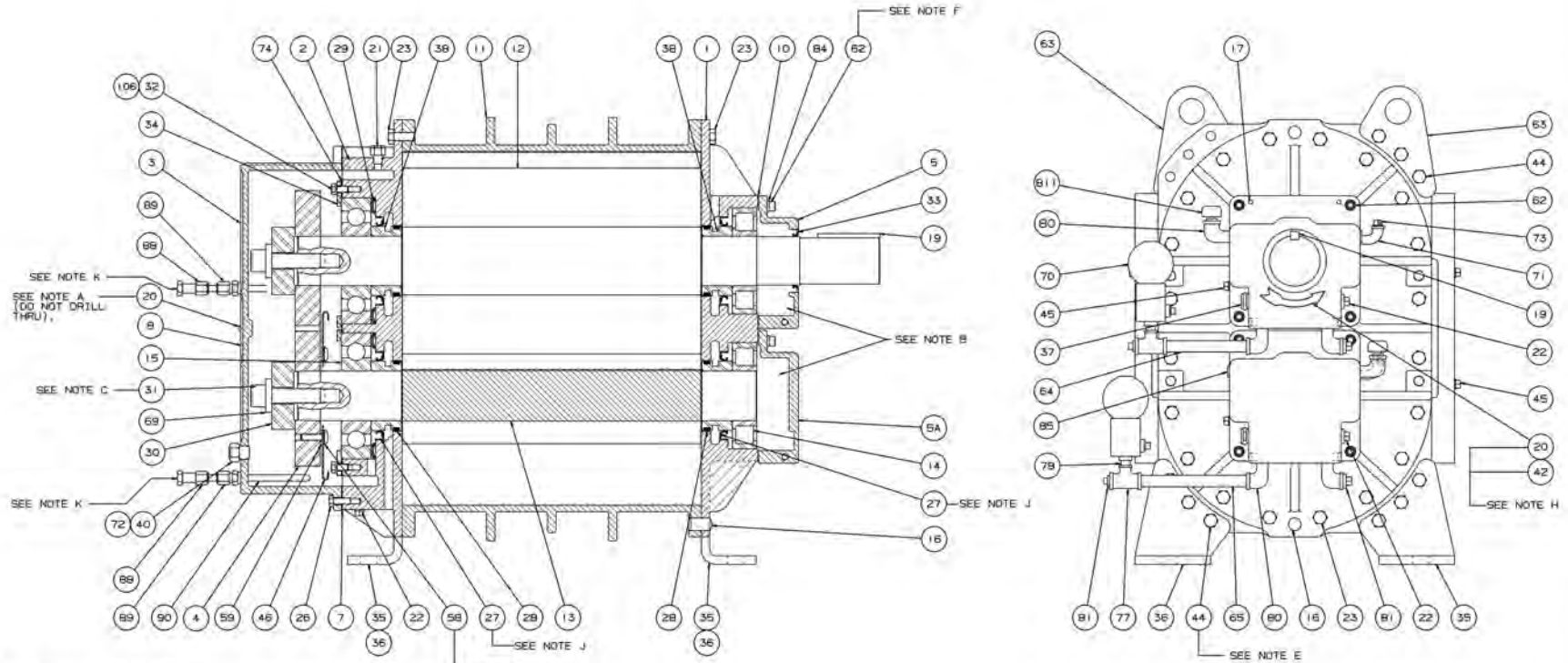


REV	PART NAME	REV	DATE



- NOTES:
- A - #25(.150) DRILL 1/4 DP. & INSTALL ITEM 20 (SCREW) IN ASSEMBLY.
 - B - SEE OPERATING MANUAL IRB-116 FOR LUBRICATION INSTRUCTION.
 - C - APPLY OIL TO BOLT THREADS & UNDER BOLT HEAD. & TORQUE TO 850 FT. LBS. (IF MOLYNOTE OR PASTE IS USED IN PLACE OF OIL ON THREADS, TORQUE TO 500 FT. LBS.)
 - D - THREADS TO BE OIL FREE, CLEAN, APPLY LOCTITE AND TORQUE TO 25 FT. LBS.
 - E - SCREW THREADS TO BE OILED & TORQUED TO 85 FT. LBS.
 - F - SCREW THREADS TO BE OILED & TORQUED TO 35 FT. LBS.
 - H - REQUIRED WITH HYDRODYNAMIC SEALS ONLY.
 - J - NOTE UNIT ROTATION WITH PLACEMENT OF HYDRODYNAMIC SEALS.
 - K - OIL COOLING WATER INLET OR OUTLET.

REV	DESCRIPTION	BY	DATE	CHKD	DATE
1	ADDED DIMENSIONS	REH	5/20/93	BJ/15V	
2	NOTE "D" REVISED	ESJ	4-8-93	8072V	AGP
3	REV DIMS FROM 1/4 TO 5/8	AKP	6-15-93	7436V	TCM
4	ADDED #45 IN FACE OF CYLINDER	AKP	7-7-93	7534V	AGP
5	ITEM #20 MVS #54	AKP	11-9-93	7614V	PCA
6	MOVED OUTLETS TO BOTTOM	AKP	5-25-93	7410V	PCA
7	ADDED ITEMS 20 & 42	FOR	8-26-93	7534V	PCA

THIS DOCUMENT CONTAINS CONFIDENTIAL INFORMATION OF DRESSER INDUSTRIES, INC. IT SHALL BE HELD IN STRICTEST CONFIDENCE, AND BE USED ONLY IN CONNECTION WITH DRESSER DIVISION BUSINESS.

REF: 677630
 1. PLATING
 2. DIMENSIONS
 3. PARALLELISM
 4. TAPER POSITION
 5. SYMMETRY

Q DIMENSIONALITY
 R IMPROVED CLARITY
 S CHANGE OF LINE
 T HIDE IF A SURFACE
 U DIMENSION
 V FINISH OF SURFACE

MPN. NO.	67763013	DATE	
REV		DATE	

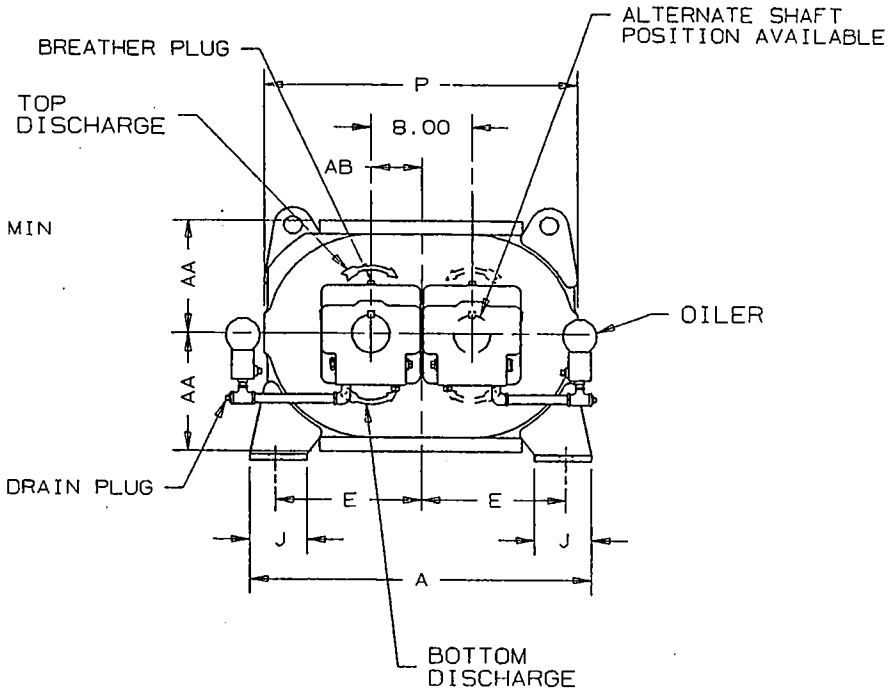
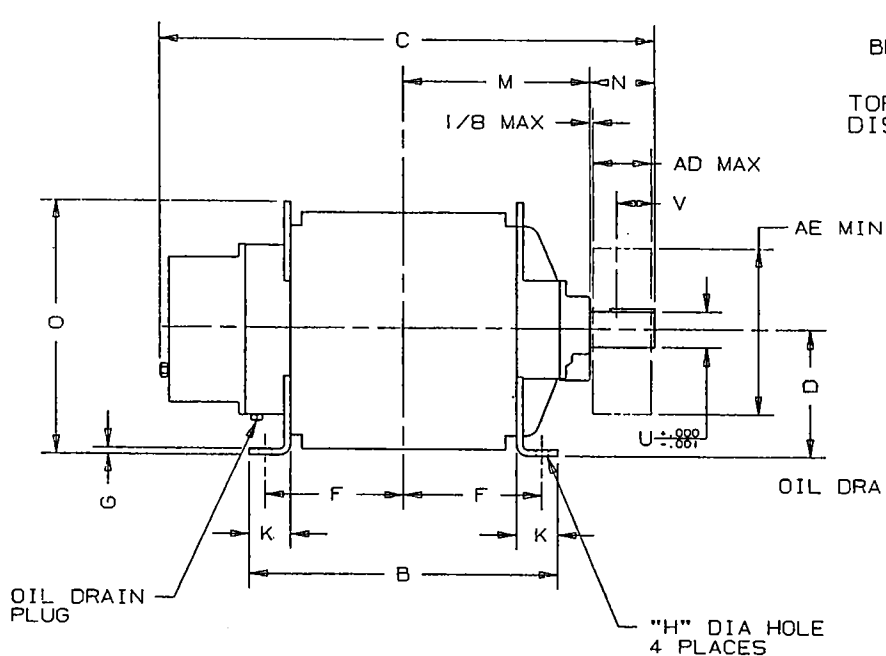
DO NOT SCALE FOR DIMENSIONS
 ALL DIMENSIONS SHALL BE IN UNLESS OTHERWISE SPECIFIED

SECTIONAL ASSEMBLY
 8" RCS-W (W/ OIL COOLER)

DRESSER INDUSTRIES, INC.
 Dresser, Dresser, Inc.
 Cincinnati, IN USA

69763013 REV L

Figure 5 - 8" RCS Blower Sectional



INLET AND DISCHARGE FLANGES TO MATE FLUSH AND SQUARE WITH FLAT FACE FLANGES ONLY. USE FULL FACE GASKETS

FOR V-BELT DRIVEN UNITS MOTOR TO BE LOCATED ON THE SHAFT SIDE OF BLOWER WHEN FACING BLOWER SHAFT.

	10"FLG	12"FLG	14"FLG
OPENING	10.00	12.00	14.00
BOLT CIRCLE	14.25	17.00	18.75
FLANGE O.D.	16.00	19.00	21.00
No TAPPED HOLES	12	12	12
SIZE HOLES	7/8 - 9	7/8 - 9	1 - 8
TAP DEPTH	1.31	1.31	1.50

W - INLET
 W' - DISCHARGE
 AD - SHEAVE WIDTH
 AE - SHEAVE DIAMETER
 ALL DIMENSIONS IN INCHES

8" RCS-H BLOWER

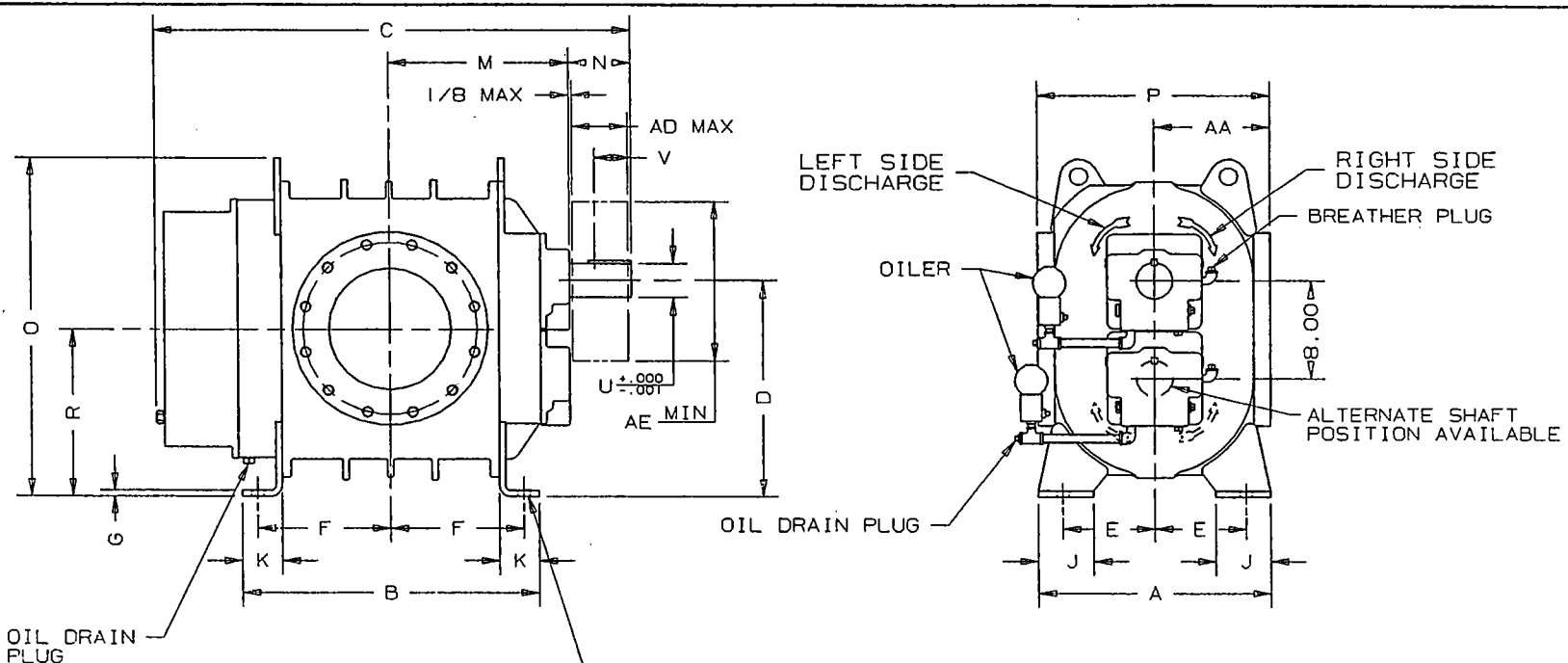
FRAME SIZE	A	B	C	D	E	F	G	H	J	K	M	N	O	P	U	V	KEYWAY	W	W'	AA	AB	AD	AE	APPROX WEIGHT
817	27.00	24.25	38.44	10.00	11.50	10.88	.50	1.00	4.50	3.25	14.63	4.88	20.38	25.25	2.75	4.00	.625x.313	10"FLG	10"FLG	9.50	4.00	7.19	13.25	1200 LB.
824	"	30.50	44.69	"	"	14.00	"	"	"	"	17.75	"	"	"	"	"	"	12"FLG	12"FLG	"	"	"	"	1330 LB.
827	"	34.00	48.19	"	"	15.75	"	"	"	"	19.50	"	"	"	"	"	"	14"FLG	14"FLG	"	"	"	"	1600 LB.

CERTIFIED CORRECT FOR
 CUSTOMER ORDER No. _____
 ROOTS ORDER No. _____
 DATE _____

V-BELT DRIVE DATA

BELTS	_____
DRIVE SHEAVE	_____
DRIVEN SHEAVE	_____
CENTER DISTANCE	_____

		DRESSER INDUSTRIES, INC
		ROOTS DIVISION 900 WEST MOUNT STREET CONNERSVILLE, INDIANA 47331
REM 3/23/88	RDA	866-873-0111



INLET AND DISCHARGE FLANGES TO MATE FLUSH AND SQUARE WITH FLAT FACE FLANGES ONLY. USE FULL FACE GASKETS

FOR V-BELT DRIVEN UNITS MOTOR TO BE LOCATED ON INLET SIDE OF BLOWER

8" RCS-V BLOWER

	10"FLG	12"FLG	14"FLG
OPENING	10.00	12.00	14.00
BOLT CIRCLE	14.25	17.00	18.75
FLANGE O.D.	16.00	19.00	21.00
No TAPPED HOLES	12	12	12
SIZE HOLES	7/8 - 9	7/8 - 9	1 - 8
TAP DEPTH	1.31	1.31	1.50

W - INLET
W' - DISCHARGE
AD - SHEAVE WIDTH
AE - SHEAVE DIAMETER
ALL DIMENSIONS IN INCHES

FRAME SIZE	A	B	C	D	E	F	G	H	J	K	M	N	O	P	R	U	V	KEYWAY	W	W'	AA	AD	AE	APPROX WEIGHT
B17	19.00	24.25	38.44	18.00	7.50	10.88	.50	1.00	4.50	3.25	14.63	4.88	28.38	19.00	14.00	2.75	4.00	.625x.313	10"FLG	10"FLG	9.50	7.19	13.25	1200 LB.
B24	"	30.50	44.69	"	"	14.00	"	"	"	"	17.75	"	"	"	"	"	"	"	12"FLG	12"FLG	"	"	"	1330 LB.
B27	"	34.00	48.19	"	"	15.75	"	"	"	"	19.50	"	"	"	"	"	"	"	14"FLG	14"FLG	"	"	"	1600 LB.

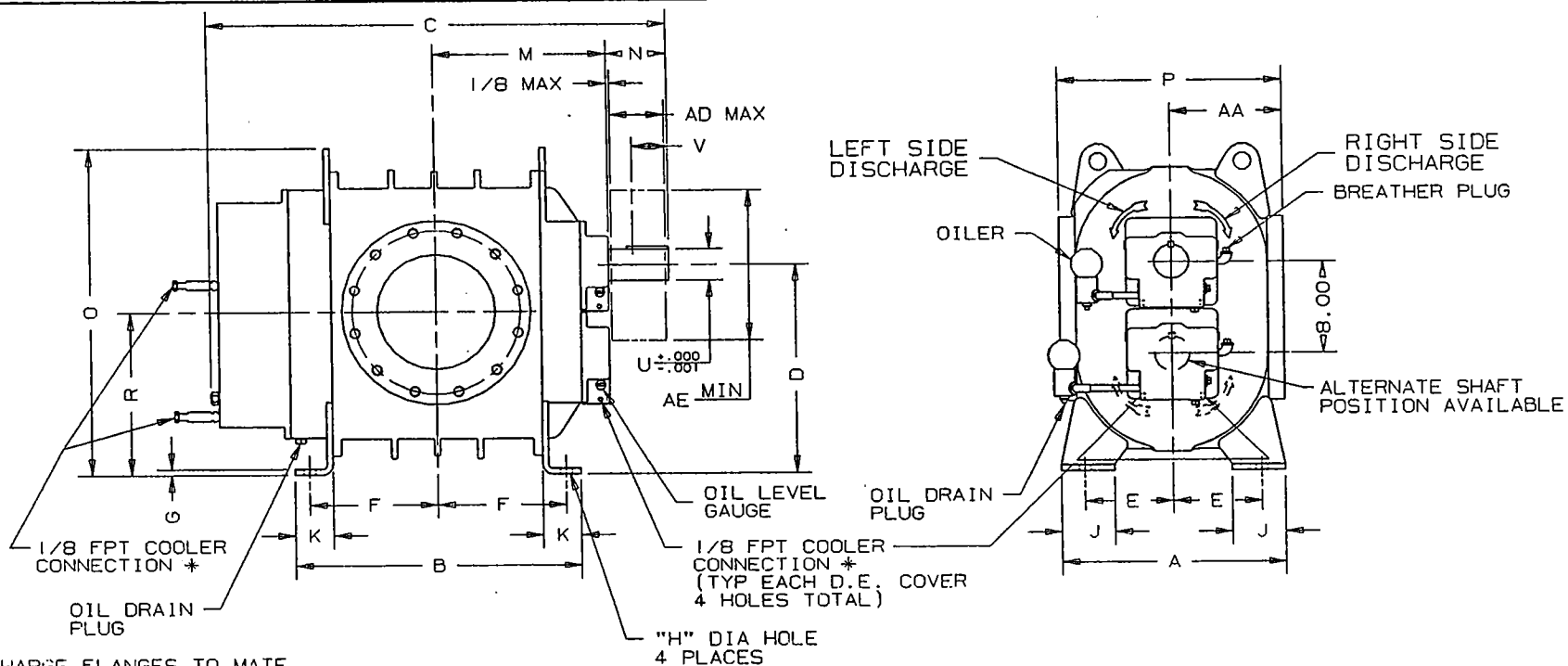
CERTIFIED CORRECT FOR
CUSTOMER ORDER No. _____
ROOTS ORDER No. _____
DATE _____

V-BELT DRIVE DATA	
BELTS	_____
DRIVE SHEAVE	_____
DRIVEN SHEAVE	_____
CENTER DISTANCE	_____

ROOTS

DRESSER INDUSTRIES, INC
ROOTS DIVISION
900 WEST MOUNT STREET
CONNERSVILLE, INDIANA 47331

REM 3/21/88 RDA
866-872-011



INLET AND DISCHARGE FLANGES TO MATE FLUSH AND SQUARE WITH FLAT FACE FLANGES ONLY. USE FULL FACE GASKETS

FOR V-BELT DRIVEN UNITS * ONE GPM PER END AT MAX. 85°F REQUIRED INLET SIDE OF BLOWER

	10"FLG	12"FLG	14"FLG
OPENING	10.00	12.00	14.00
BOLT CIRCLE	14.25	17.00	18.75
FLANGE O.D.	16.00	19.00	21.00
No TAPPED HOLES	12	12	12
SIZE HOLES	7/8 - 9	7/8 - 9	1 - 8
TAP DEPTH	1.31	1.31	1.50

W - INLET
 W' - DISCHARGE
 AD - SHEAVE WIDTH
 AE - SHEAVE DIAMETER
 ALL DIMENSIONS IN INCHES

8" RCS-V BLOWER w/COOLER

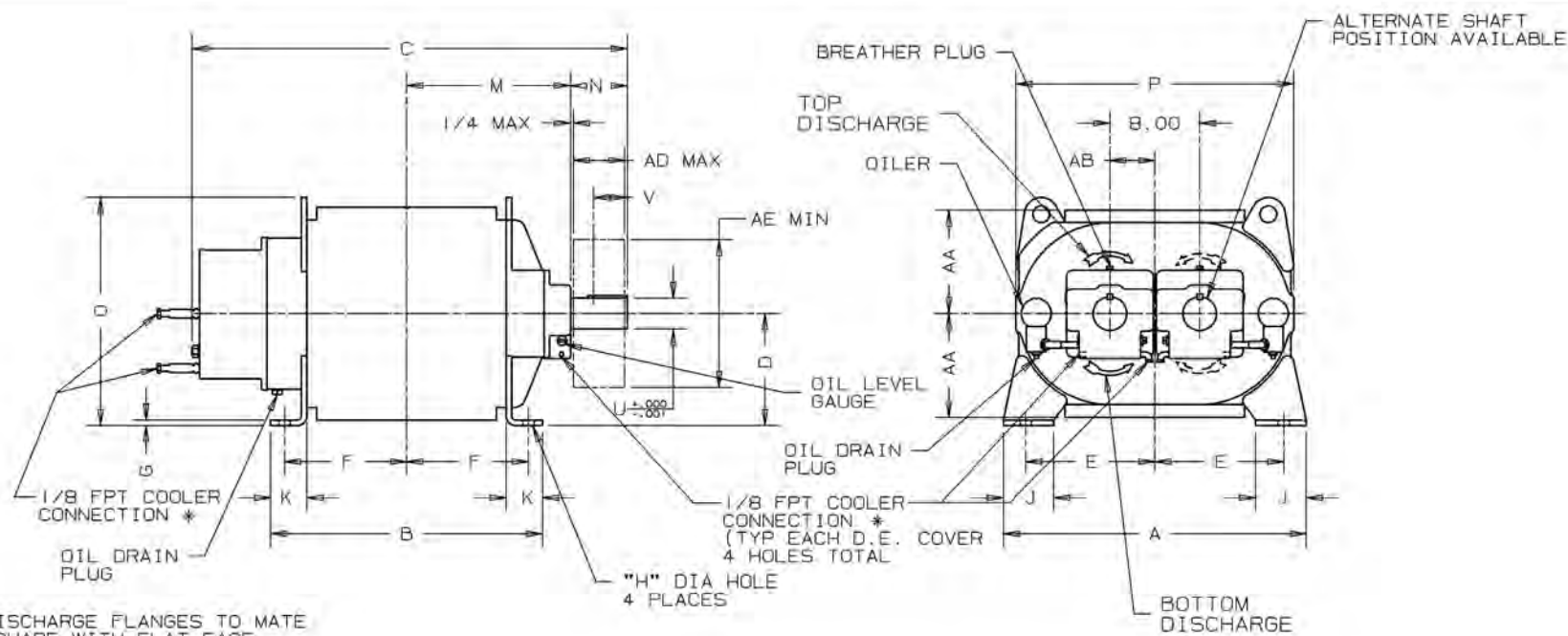
FRAME SIZE	A	B	C	D	E	F	G	H	J	K	M	N	O	P	R	U	V	KEYWAY	W	W'	AA	AD	AE	APPROX WEIGHT
817	19.00	24.25	38.44	18.00	7.50	10.88	.50	1.00	4.50	3.25	14.63	4.88	28.38	19.00	14.00	2.75	4.00	.625x.313	10"FLG	10"FLG	9.50	7.19	13.25	1200 LB.
824	"	30.50	44.69	"	"	14.00	"	"	"	"	17.75	"	"	"	"	"	"	"	12"FLG	12"FLG	"	"	"	1330 LB.
827	"	34.00	48.19	"	"	15.75	"	"	"	"	19.50	"	"	"	"	"	"	"	14"FLG	14"FLG	"	"	"	1600 LB.

CERTIFIED CORRECT FOR
 CUSTOMER ORDER No. _____
 ROOTS ORDER No. _____
 DATE _____

V-BELT DRIVE DATA	
BELTS	_____
DRIVE SHEAVE	_____
DRIVEN SHEAVE	_____
CENTER DISTANCE	_____

ROOTS DRESSER INDUSTRIES, INC
 ROOTS DIVISION
 900 WEST MOUNT STREET
 CONNERSVILLE, INDIANA 47331

JHB 6-9-92 RDA REM 873-919-011



INLET AND DISCHARGE FLANGES TO MATE FLUSH AND SQUARE WITH FLAT FACE FLANGES ONLY. USE FULL FACE GASKETS

FOR V-BELT DRIVEN UNITS MOTOR TO BE LOCATED ON THE SHAFT SIDE OF BLOWER WHEN FACING BLOWER SHAFT.

* ONE GPM PER END AT MAX. 85°F REQUIRED

* 45 PSI MAX WATER PRESSURE

	10"FLG	12"FLG	14"FLG
OPENING	10.00	12.00	14.00
BOLT CIRCLE	14.25	17.00	18.75
FLANGE O.D.	16.00	19.00	21.00
No TAPPED HOLES	12	12	12
SIZE HOLES	7/8 - 9	7/8 - 9	1 - 8
TAP DEPTH	1.31	1.31	1.50

W - INLET

W' - DISCHARGE

AD - SHEAVE WIDTH MAX

AE - SHEAVE DIAMETER MIN

ALL DIMENSIONS IN INCHES

8" RCS-H BLOWER w/COOLER

FRAME SIZE	A	B	C	D	E	F	G	H	J	K	M	N	O	P	U	V	KEYWAY	W	W'	AA	AB	AD	AE	APPROX WEIGHT
B17	27.00	24.25	38.44	10.00	11.50	10.88	.50	1.00	4.50	3.25	14.63	4.88	20.38	25.25	2.75	4.00	.625x.313	10"FLG	10"FLG	9.50	4.00	7.19	13.25	1200 LB.
B24	"	30.50	44.69	"	"	14.00	"	"	"	"	17.75	"	"	"	"	"	"	12"FLG	12"FLG	"	"	"	"	1330 LB.
B27	"	34.00	48.19	"	"	15.75	"	"	"	"	19.50	"	"	"	"	"	"	14"FLG	14"FLG	"	"	"	"	1600 LB.

CERTIFIED CORRECT FOR CUSTOMER ORDER No. _____
 ROOTS ORDER No. _____
 DATE _____

A	ADDED NOTES	BRK	7760V
REVISIONS	BY	DATE	CHKD.

8" RCS-H BLOWER w/COOLER

DRESSER  Dresser ROOTS, Dresser, Inc. Connersville, IN USA

JHB			73920011	REV. A
DR	CHKD	APP		