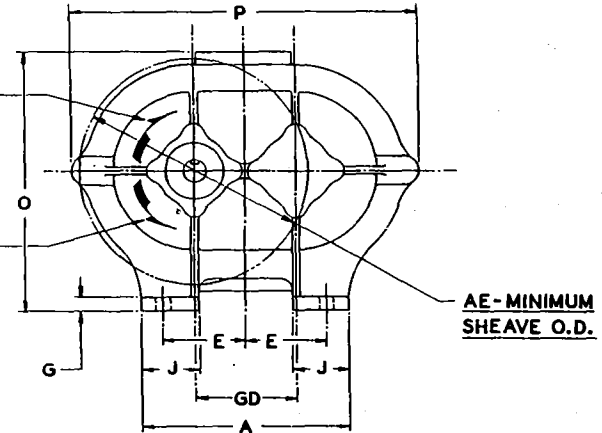
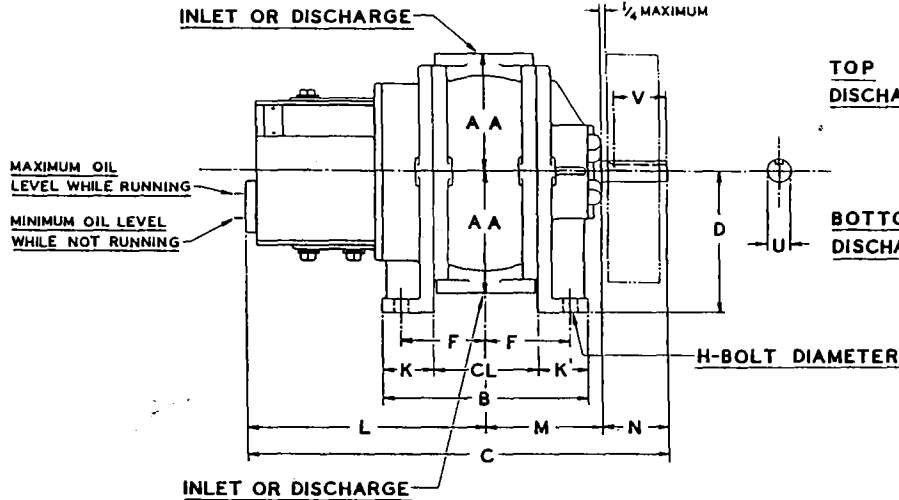
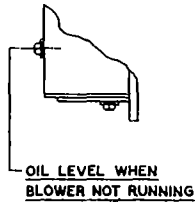


**AUXILIARY VIEW FOR
33 THRU 59 UNITS.**



- W - INLET AND DISCHARGE DIAMETER
- X - BOLT CIRCLE DIAMETER
- Y - FLANGÉ DIAMETER
- Z - No., SIZE, & MIN. DEPTH OF TAPPED HOLES

RAI TOP OR BOTTOM OUTLET BLOWER

- ALL DIMENSIONS IN INCHES -

POWER AND LOADER DIRECTLY TO RETURN UPON ORDER. AND WITH THE EXPRESS CONDITION THAT THEY SHALL NOT BE USED IN ANY WAY DIFFERENTIAL TO ROOTS DESIGN OF GESSER INDUSTRIES.

TOLERANCE THROUGH 1.5000 DIAM. +.0000 -.0005 ABOVE 1.500 +.000 -.001

SIZE	INLET AND DISCHARGE																			TOLERANCE THROUGH 1.5000 DIAM. +.0000 -.0005 ABOVE 1.500 +.000 -.001									
NO	GD	CL	A	B	C	D	E	F	G	H	J	K	L	M	N	O	P	U	V	KEYWAY	W	X	Y	Z	AA	AE	K'	APPROX. OIL CAP.	APPROX. NET WT.
33	3 1/2	3 5/8	7 1/4	7 7/16	15 1/16	5	2 7/8	3	1/2	3/8	2	1 13/16	8 5/8	3 13/16	2 5/8	9 5/16	12 1/8	.6562	1 7/8	3/16 X 3/32	2 1/2 - 8	N. P. T.			4 5/16	5	2	1 FL. OZ.	
36	3 1/2	6	7 1/4	9 13/16	17 1/16	5	2 7/8	4 3/16	1/2	3/8	2	1 13/16	9 13/16	5	2 5/8	9 1/2	12 1/8	.6562	1 7/8	3/16 X 3/32	4 - 8	N. P. T.			4 1/2	5	2	1 FL. OZ.	
44	4	4	8 1/4	8 3/8	16 3/8	6 1/4	3 1/8	3 9/16	9/16	3/8	2 1/4	2 1/16	9 1/16	4 5/16	3	12 3/8	13 5/8	.7812	2 3/8	3/16 X 3/32	3 - 8	N. P. T.			6 1/8	5	2 5/16	13 FL. OZ.	
47	4	7 1/4	8 1/4	11 7/8	19 3/8	6 1/4	3 1/8	5 3/16	9/16	3/8	2 1/4	2 1/16	10 11/16	5 15/16	3	11 1/8	13 5/8	.7812	2 3/8	3/16 X 3/32	4 - 8	N. P. T.			4 7/8	5	2 5/16	13 FL. OZ.	
53	5	3 3/8	13	8 11/16	17 1/4	6 3/4	5 3/8	3 1/16	9/16	3/8	3	2 1/4	9 1/16	4 1/16	3 3/8	13 3/8	17 1/4	.9687	2 3/8	1/4 X 1/8	3 - 8	N. P. T.			6 3/8	6	2 9/16	20 FL. OZ.	
55	5	5	13	9 13/16	18 3/16	6 3/4	5 3/8	4 1/4	9/16	3/8	3	2 1/4	9 5/8	5 1/16	3 5/8	13 3/8	17 1/4	.9687	2 7/8	1/4 X 1/8	4 - 8	N. P. T.			6 5/8	6	2 9/16	20 FL. OZ.	
59	5	9 1/2	13	14 3/16	22 13/16	6 3/4	5 3/8	6 1/2	9/16	3/8	3	2 1/4	11 7/8	7 3/16	3 5/8	13 3/8	17 1/4	.9687	2 1/8	1/4 X 1/8	6	9 1/2	11	8 3/4-10 1/8	6 5/8	6	2 9/16	20 FL. OZ.	
65	6	5	12 1/2	10 3/4	22 3/8	8 1/2	4 1/2	4 1/4	9/16	5/8	3 7/16	2 7/8	11 3/8	6 1/2	4 1/2	16 13/16	19 3/4	1.2500	3 7/8	1/4 X 1/8	4 - 8	N. P. T.			8 5/16	8	2 7/8	1 qt.	
67	6	7 1/2	12 1/2	13 1/4	24 1/8	8 1/2	4 1/2	5 1/2	9/16	5/8	3 7/16	2 7/8	12 5/8	7 3/4	4 1/2	15	19 3/4	1.2500	3 7/8	1/4 X 1/8	5 - 8	N. P. T.			6 7/8	8	2 7/8	1 qt.	
610	6	10	12 1/2	15 3/4	27 3/8	8 1/2	4 1/2	6 3/4	9/16	5/8	3 7/16	2 7/8	13 7/8	9	4 1/2	15 7/8	19 3/4	1.2500	3 7/8	1/4 X 1/8	6	9 1/2	11	8 3/4-10 1/8	7 3/8	8	2 7/8	1 qt.	
615	6	15	12 1/2	20 3/4	32 3/8	8 1/2	4 1/2	9 1/4	9/16	5/8	3 7/16	2 7/8	16 3/8	11 1/2	4 1/2	15 1/8	19 3/4	1.2500	3 7/8	1/4 X 1/8	8	11 3/4	13 1/2	8 3/4-10 1/8	6 5/8	8	2 7/8	1 qt.	
74	7	4 1/2	19	10 1/4	23 3/8	10 1/4	8	4 1/4	9/16	5/8	4	2 7/8	12 5/8	6 1/4	4 5/8	20 3/8	23 1/4	1.4375	3 7/8	3/8 X 3/16	4 - 8	N. P. T.			10 1/8	9 1/2	2 7/8	1 1/2 qt.	
76	7	6	19	11 3/4	25	10 1/4	8	5	9/16	5/8	4	2 7/8	13 3/8	7	4 5/8	20 3/8	23 1/4	1.4375	3 7/8	3/8 X 3/16	5 - 8	N. P. T.			10 1/8	9 1/2	2 7/8	1 1/2 qt.	
710	7	10	19	15 3/4	29	10 1/4	8	7	9/16	5/8	4	2 7/8	15 3/8	9	4 5/8	19 3/8	23 1/4	1.4375	3 7/8	3/8 X 3/16	8	11 3/4	13 1/2	8 3/4-10 1/8	9 1/8	9 1/2	2 7/8	1 1/2 qt.	
717	7	17	19	22 3/4	36	10 1/4	8	10 1/2	9/16	5/8	4	2 7/8	18 1/8	12 1/2	4 5/8	18 1/2	23 1/4	1.4375	3 7/8	3/8 X 3/16	10	14 1/4	16	12 7/8-9 15/16	8 1/4	9 1/2	2 7/8	1 1/2 qt.	
86	8	6	18	15 1/8	31 7/16	11	6	5 1/2	5/8	5/8	4 1/2	4 9/16	15 11/16	8 15/16	6 13/16	21 3/4	26 1/4	1.625	6 1/2	3/8 X 3/16	5 - 8	N. P. T.			10 3/4	11	4 9/16	5 qt.	
88	8	8	18	17 1/8	33 7/16	11	6	6 1/2	5/8	5/8	4 1/2	4 9/16	16 1/16	9 15/16	6 13/16	20 1/2	26 1/4	1.625	6 1/2	3/8 X 3/16	6	9 1/2	11	8 3/4-10 1/8	9 1/2	11	4 9/16	5 qt.	
812	8	12	18	21 1/8	37 1/16	11	6	8 1/2	5/8	5/8	4 1/2	4 9/16	18 1/16	11 15/16	6 13/16	20 1/2	26 1/4	1.625	6 1/2	3/8 X 3/16	8	11 3/4	13 1/2	8 3/4-10 1/8	9 1/2	11	4 9/16	5 qt.	
820	8	20	18	29 1/8	45 1/16	11	6	12 1/2	5/8	5/8	4 1/2	4 9/16	22 1/16	15 15/16	6 13/16	20 1/2	26 1/4	1.625	6 1/2	3/8 X 3/16	10	14 1/4	16	12 7/8-9 15/16	9 1/2	11	4 9/16	5 qt.	

DRAWN BY BJC DATE 1-8-73 CHKD BY Jmcc APPD BY ELLS ECN 2382V REV 4-10-75 WMC ECN 2460 V

APPROVED FOR CONSTRUCTION

V-BELT DRIVE SPECIFICATIONS

CUSTOMER _____
 CUSTOMER'S ORDER NO _____ ROOTS NO _____
 DATE _____ BY _____

BELTS
 P.D.-DRIVE SHEAVE
 P.D.-DRIVEN SHEAVE
 CENTER DISTANCE _____



INDUSTRIAL PRODUCTS DIVISION
 GRESSER INDUSTRIES, INC.
 CONNERSVILLE, INDIANA 47331

852-278-003

PRINTED IN U.S.A.