

Vent Silencers

**B21
B13
B14**

Design

Model B21

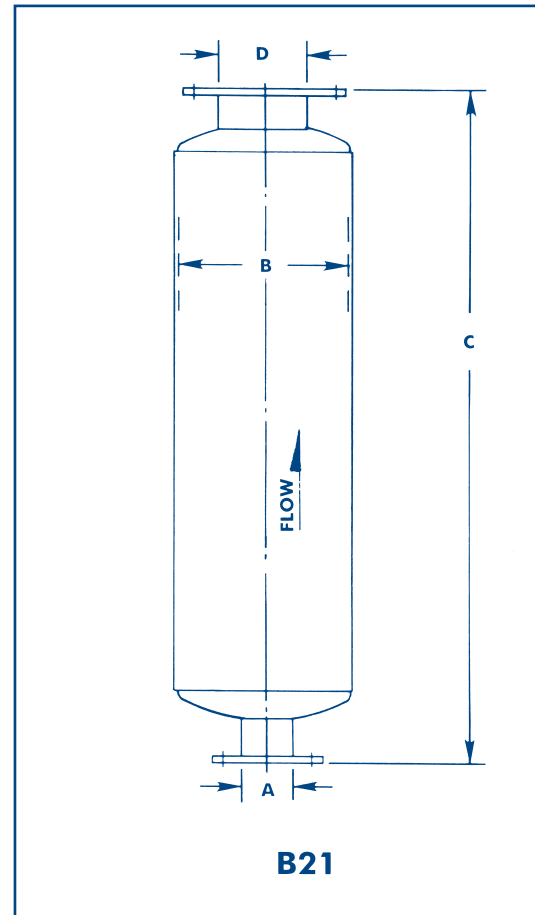
Absorption style silencer employing a single stage diffuser and containing a perforated tube surrounded by acoustic material packed to a controlled density to achieve silencing.

Model B13 and B14

Absorption type silencers employing a single or multi-stage diffuser, and containing an acoustic core to decrease high frequency noise.

Construction

All welded construction of sheet and plate steel. Absorption material appropriate for operation conditions. Exterior surfaces are prime coated. Flanges are drilled to match 125 lb. American Standard Flanges. Side connections, mounting brackets, flanged outlet nozzle, or special paint available at extra cost.

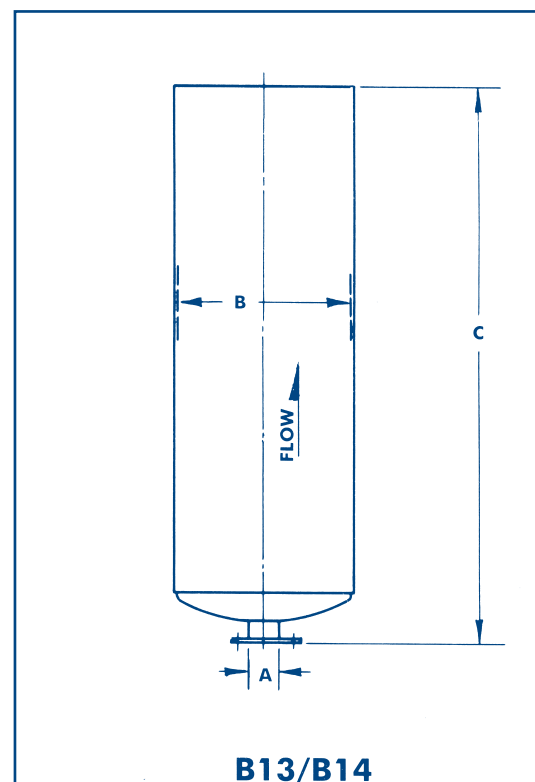


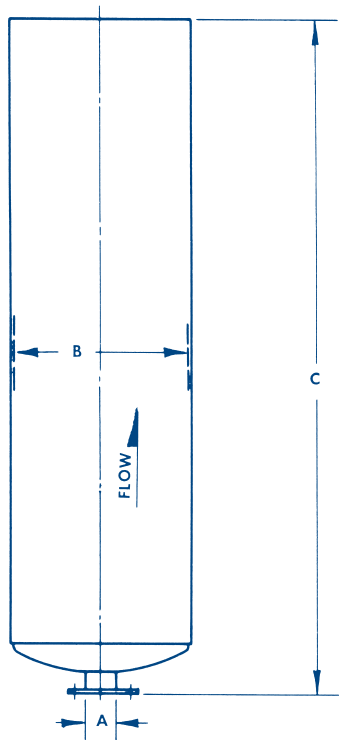
| Octave Band Center Frequency (HZ) | 63 | 125 | 250 | 500 | 1K | 2K | 4K | 8K |
|--|----|-----|-----|-----|----|----|----|----|
| Typical Attenuation (dB) Model B21 | 8 | 10 | 14 | 19 | 30 | 33 | 30 | 28 |
| Typical Attenuation (dB) Model B13 | 14 | 21 | 25 | 31 | 35 | 40 | 38 | 35 |
| Typical Attenuation (dB) Model B14 | 18 | 23 | 29 | 38 | 44 | 47 | 45 | 40 |

| Model | A | B | C | D | Wt. |
|--------|---|----|-----|----|-----|
| B21-5 | 2 | 12 | 66 | 5 | 96 |
| B21-6 | 3 | 12 | 78 | 6 | 125 |
| B21-8 | 4 | 14 | 86 | 8 | 150 |
| B21-10 | 6 | 16 | 106 | 10 | 230 |

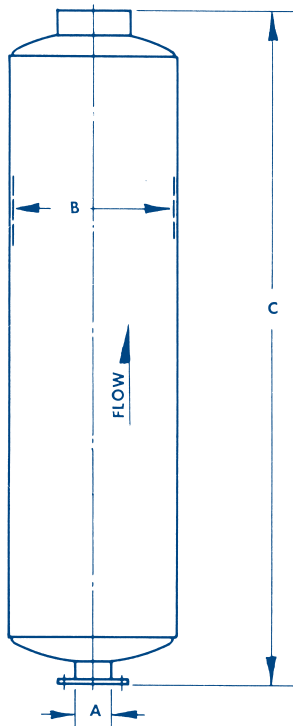
| Model | A | B | C | Wt. |
|--------|----|----|--------------------------------|-------|
| B13-8 | 4 | 18 | 45 | 180 |
| B13-10 | 5 | 20 | 50 | 300 |
| B13-12 | 6 | 24 | 60 | 420 |
| B13-14 | 6 | 26 | 65 | 585 |
| B13-16 | 8 | 30 | 68 ¹ / ₂ | 822 |
| B13-18 | 8 | 30 | 75 | 900 |
| B13-20 | 10 | 36 | 90 | 1530 |
| B13-22 | 10 | 36 | 97 | 1649 |
| B13-24 | 12 | 42 | 106 | 2014 |
| B13-26 | 12 | 42 | 106 | 2176 |
| B13-28 | 14 | 48 | 112 | 2464 |
| B13-30 | 14 | 48 | 121 | 2662 |
| B13-36 | 18 | 60 | 150 | 4950 |
| B13-42 | 22 | 66 | 171 | 6840 |
| B13-48 | 24 | 72 | 172 | 7568 |
| B13-54 | 26 | 78 | 196 | 9212 |
| B13-60 | 30 | 84 | 210 | 10920 |

| Model | A | B | C | Wt. |
|--------|----|----|---------------------------------|-------|
| B14-8 | 4 | 18 | 55 | 220 |
| B14-10 | 5 | 20 | 67 ¹ / ₂ | 405 |
| B14-12 | 6 | 24 | 78 | 546 |
| B14-14 | 6 | 26 | 84 | 756 |
| B14-16 | 8 | 30 | 92 ¹ / ₂ | 1110 |
| B14-18 | 8 | 30 | 97 ¹ / ₂ | 1170 |
| B14-20 | 10 | 36 | 117 ³ / ₈ | 1997 |
| B14-22 | 10 | 36 | 129 ⁵ / ₈ | 2200 |
| B14-24 | 12 | 42 | 130 | 2470 |
| B14-26 | 12 | 42 | 130 | 2530 |
| B14-28 | 14 | 48 | 143 | 3146 |
| B14-30 | 14 | 48 | 157 | 3454 |
| B14-36 | 18 | 60 | 194 ¹ / ₂ | 6418 |
| B14-42 | 22 | 66 | 215 | 8600 |
| B14-48 | 24 | 72 | 232 | 10208 |
| B14-54 | 26 | 78 | 256 | 12032 |
| B14-60 | 30 | 84 | 258 | 13416 |





B15



B34

B15 B34

Vent Silencers

Design

Model B15

Absorption type silencer employing a single or multi-stage stage diffuser and containing an acoustic core to decrease high frequency noise.

Model B34

A multi-chamber silencer employing a single stage diffuser and absorption section to effectively treat both high and low frequencies.

Construction

All welded construction of sheet and plate steel. Absorption material appropriate for operating conditions. Exterior surfaces are prime coated. Flanges are 150 lb. ANSI RF SO. Side connections, mounting brackets, flanged outlet nozzle, or special paint available at extra cost.

| Octave Band Center Frequency (Hz) | 63 | 125 | 250 | 500 | 1K | 2K | 4K | 8K |
|--|----|-----|-----|-----|----|----|----|----|
| Typical Attenuation (dB) Model B15 | 22 | 25 | 33 | 47 | 53 | 55 | 53 | 47 |
| Typical Attenuation (dB) Model B34 | 26 | 33 | 36 | 38 | 40 | 38 | 33 | 26 |

| Model | A | B | C | Wt. |
|--------|----|----|---------------------------------|-------|
| B15-4 | 2 | 10 | 45 | 120 |
| B15-5 | 2 | 12 | 53 | 150 |
| B15-6 | 3 | 16 | 60 | 180 |
| B15-8 | 4 | 18 | 67 | 268 |
| B15-10 | 5 | 20 | 79 ¹ / ₂ | 477 |
| B15-12 | 6 | 24 | 95 ³ / ₄ | 670 |
| B15-14 | 6 | 26 | 104 | 936 |
| B15-16 | 8 | 30 | 112 | 1344 |
| B15-18 | 8 | 30 | 116 ¹ / ₂ | 1398 |
| B15-20 | 10 | 36 | 129 ⁵ / ₈ | 2201 |
| B15-22 | 10 | 36 | 144 | 2448 |
| B15-24 | 12 | 42 | 154 | 2926 |
| B15-26 | 12 | 42 | 168 | 3192 |
| B15-28 | 14 | 48 | 179 | 3938 |
| B15-30 | 14 | 48 | 193 | 4246 |
| B15-36 | 18 | 60 | 216 | 7128 |
| B15-42 | 22 | 66 | 255 | 10200 |
| B15-48 | 24 | 72 | 288 | 12672 |
| B15-54 | 26 | 78 | 316 | 14852 |
| B15-60 | 30 | 84 | 336 | 17472 |

| Model | A | B | C | Wt. |
|--------|-------------------------------|-----|-----|-------|
| B34-4 | 2 | 12 | 60 | 90 |
| B34-5 | 2 ¹ / ₂ | 14 | 67 | 145 |
| B34-6 | 3 | 16 | 73 | 190 |
| B34-8 | 4 | 18 | 80 | 230 |
| B34-10 | 5 | 22 | 93 | 440 |
| B34-12 | 6 | 26 | 112 | 575 |
| B34-14 | 6 | 30 | 125 | 920 |
| B34-16 | 8 | 30 | 135 | 965 |
| B34-18 | 8 | 36 | 150 | 1380 |
| B34-20 | 10 | 42 | 176 | 1930 |
| B34-22 | 10 | 42 | 176 | 2115 |
| B34-24 | 12 | 54 | 190 | 2770 |
| B34-26 | 12 | 54 | 216 | 3590 |
| B34-28 | 14 | 60 | 229 | 4325 |
| B34-30 | 14 | 60 | 247 | 4600 |
| B34-36 | 18 | 72 | 280 | 8050 |
| B34-42 | 22 | 84 | 332 | 9625 |
| B34-48 | 24 | 96 | 370 | 13775 |
| B34-54 | 24 | 108 | 397 | 19150 |
| B34-60 | 30 | 114 | 437 | 20400 |



Specialists in Industrial Silencing

Stoddard Silencers, Inc.
 1017 Progress Drive • Grayslake, Illinois 60030
 Telephone (847) 223-8636 • FAX (847) 223-8638
 E-Mail - info @ stoddardsilencersinc.com
 Web page - www.stoddardsilencersinc.com