

Filter Specifications



F2 WT. 10 LBS.
Available with Models F11, F21 and F22.

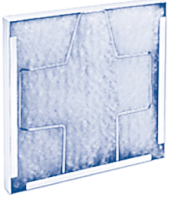
F2-101 Filter Element Ratings (CFM/ Panel)	Clean Filter Pressure Drop ("H ₂ O)
1500	0.20
1250	0.16
1000	0.12

F2-106 Filter Element Ratings (CFM/ Panel)	Clean Filter Pressure Drop ("H ₂ O)
2500	0.40
2000	0.27
1500	0.17

The F2 filter element has a galvanized metal frame with a washable polyester media, between a screen mesh and expanded metal grid. Efficiency is 99% on 10 micron and above. Sizes are available as follows:

Element Number	Size	Flow	Model
F2-101	24" x 24" x 2"	1250	F11
F2-102	20" x 25" x 2"	1250	F11
F2-104	16" x 20" x 2"	1250	F11
F2-106	24" x 24" x 2"	2500	F21/F22

Servicing Instructions: Rap out excessive dirt and wash in warm water containing a mild detergent. Rinse thoroughly and rap out excessive water. Replace in Filter Housing.

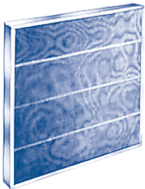


F3 WT. 4 LBS.
Available with Models F11, F21, F22, F41 and F42.

F3 Filter Element Ratings (CFM/ Panel)	Clean Filter Pressure Drop ("H ₂ O)
2500	0.25
2000	0.19
1500	0.13

The F3 is a 24" x 24" x 2" filter element with a disposable polyester media, held in place with a galvanized metal holding frame, designed for easy media replacement. Media efficiency is 90% on 10 microns and above. Replacement media is Part No. A26-101.

Servicing Instructions: Replace disposable media when visually dirty.

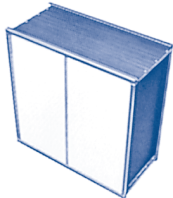


F4 WT. 11 LBS.
Available with Models F21, F22, F41 and F42.

F4 Filter Element Ratings (CFM/ Panel)	Clean Filter Pressure Drop ("H ₂ O)
2500	0.35
2000	0.28
1500	0.21

The F4 is a 24" x 24" x 3" filter element with a pleated paper media, held in place with a metal holding frame. Media efficiency is 99% + on 1 micron and above.

Servicing Instructions: Clean by directing compressed air through filter in opposite direction to flow. (Do **Not** Wash in Water.)



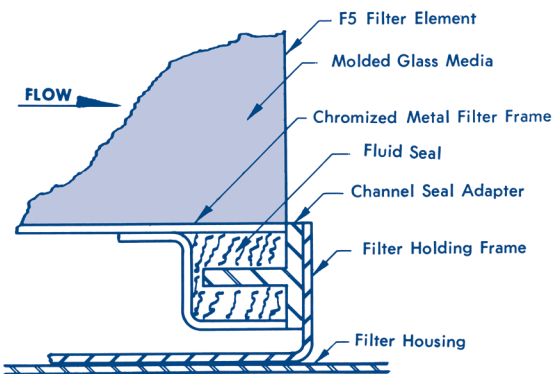
F5 WT. 40 LBS.
Standard with Models F41 and F42.

F5 Filter Element Ratings (CFM/ Panel)	Clean Filter Pressure Drop ("H ₂ O)
2500	1.75
2000	1.38
1500	1.04

The F5 is a 24" x 24" x 11 1/2" filter element with a molded glass media bonded to a Galvaneal metal frame which has a fluid seal to eliminate bypass (see detail below). The efficiency is 99.97% on 0.3 micron and above by DOP test method.

Servicing Instructions: Filter is not cleanable. If the Primary and Secondary filters are properly maintained, this filter should last 18 to 24 months.

Fluid Seal System for F5 Filter



Pipe Leg Supports

