

Fig. 1

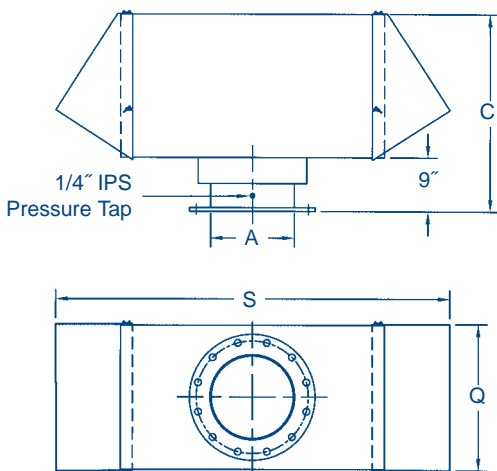


Fig. 2

Application

The F22 Air Intake Filter Silencer is recommended primarily for use on centrifugal compressors and fans where it will provide adequate silencing as well as controlled air filtration. It may also be used on the inlets of compressors, engines and blowers; however, an appropriate silencer must be installed between the air moving device and the filter/silencer. The silencer design incorporated in the filter housing is mainly effective on the higher frequencies and provides only a small amount of silencing in the low frequencies.

Design

A rigid housing designed to accept standard 24" x 24" filter elements. Various types of elements are available to provide filter efficiencies to meet the needs of engines, blowers, or compressors. Filter housings are available to accept either a single filter element or two filter elements in series. Internal design provides a safeguard to prevent small size foreign objects from entering the air intake passageway when filters are removed. Special designs available upon request.

Construction

Welded sheet and plate steel construction. Metal joints are sealed to prevent dirt and air from bypassing the filter element. All surfaces are prime coated, followed with a final coat of machinery enamel. Flanges are drilled to match 125 lb. American Standard Flanges. Weatherhoods are included. Special finishes, or materials, are available at extra cost.

For selection of filter elements and method of determining pressure drop — SEE PAGES 2 and 3.

Octave Band Center Frequency (Hz)	63	125	250	500	1K	2K	4K	8K
Typical Attenuation -db	5	6	8	10	12	15	16	15

Model	Total Filter Element (CFM)	Number of 24"x24" Element Openings	Outlet Nozzle Velocity (FPM)	Fig.	A	Q	C	S	Wt. Lbs.
F22-81	2,500	1	7,198	1	8	24	33	34 ⁷ / ₈	270
F22-101	2,500	1	4,565	1	10	24	33	34 ⁷ / ₈	295
F22-121	2,500	1	3,183	1	12	24	33	34 ⁷ / ₈	380
F22-122	5,000	2	6,365	2	12	24	33	65 ³ / ₄	425
F22-142	5,000	2	4,940	2	14	24	33	65 ³ / ₄	440
F22-162	5,000	2	3,755	2	16	24	33	65 ³ / ₄	455
F22-184	10,000	4	5,900	3	18	48	33	65 ³ / ₄	645
F22-204	10,000	4	4,760	3	20	48	33	65 ³ / ₄	650
F22-244	10,000	4	3,280	3	24	48	33	65 ³ / ₄	690
F22-246	15,000	6	4,920	4	24	48	33	75 ³ / ₄	760
F22-306	15,000	6	3,135	4	30	48	33	75 ³ / ₄	830
F22-308	20,000	8	4,180	5	30	48	33	75 ³ / ₄	920
F22-368	20,000	8	2,920	5	36	48	33	75 ³ / ₄	1065