

### A16 Silencer Supports

#### Construction

STODDARD SILENCERS' Silencer Supports are made from standard wall tubing and rolled and welded sheet and plate steel. The Silencer Supports are designed to support STODDARD SILENCERS' D13R and D33R Intake Silencers on the PD Series Discharge Silencer bases.

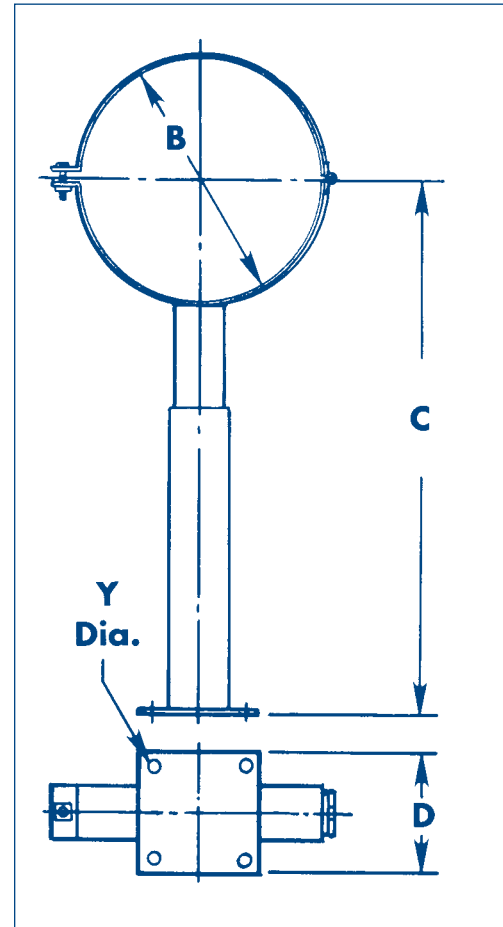
#### Application

The STODDARD SILENCERS' Silencer Supports can be used to support horizontally installed intake or discharge silencers. Designed primarily to be mounted upon STODDARD SILENCERS' PD13 and PD33 Series Discharge Silencers, they may also be used with customer fabricated bases.

The STODDARD SILENCERS' Silencer Supports are designed to insure that when the silencer is properly supported, no excessive loads are applied to either the blower or silencer.

The support tubes can be adjusted to the correct height. The tubes can then be welded together or a hole can be drilled through both tubes and they can be bolted together.

Model	Silencer Size	B Inside Dia.	C		D	Y Hole Dia.	Weight
			Min.	Max.			
A16-104	2	8	16	26	5	7/16	7
A16-105	2½ & 3	10	17	27	5	7/16	7
A16-106	4	14	22	35	5	7/16	9
A16-107	5	16	23	36	5	7/16	9
A16-108	6	18	24	37	5	7/16	10
A16-109	8	22	29	43	5	7/16	12



### A21 Flex Connectors

#### Construction

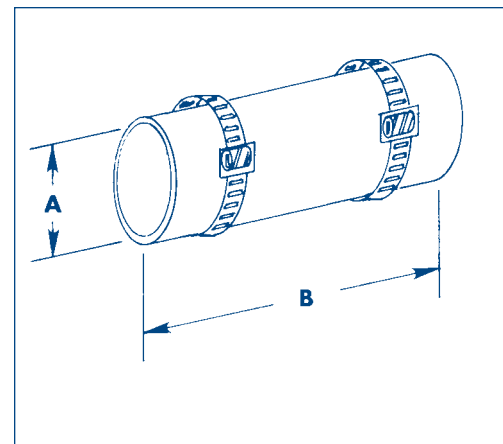
STODDARD SILENCERS' Flex Connectors are constructed of heavy-duty rubber hose designed for 80 psi internal pressure at 260° F temperature (Contact factory for other specific temperature and pressure ratings). Hose Clamps are included to attach the flex connectors to the inlet of STODDARD SILENCERS PD13 and PD33 Series Discharge Silencers and the outlet of D13R and D33R Intake Silencers.

#### Application

STODDARD SILENCERS' Flex Connectors are designed to mechanically isolate the customer's blower from the intake or discharge silencers. By isolating the blower from the silencers, vibrations and misalignments which could damage both silencer and blower are reduced.

To ensure that a minimal amount of noise is transmitted through the flexible hose into the atmosphere, STODDARD SILENCERS suggest a gap of no more than 1/4" between the silencer nozzle and the nipple or collar attached to the blower.

For blowers with up to 5" nominal pipe size connections, threaded nipples (one end only) can be purchased from local pipe and fitting suppliers. For blowers with 6" flanged connections, STODDARD SILENCERS sells a 6" flange and collar assembly.



Model	A	B	Wt.
A21-122	2	4	2
A21-123	2½	4	2
A21-124	3	4	3
A21-125	4	5	3
A21-126	5	5	4
A21-127	6	5	4